

CC3200 SimpleLink™ Wi-Fi® and Internet-of-Things Solution, a Single-Chip Wireless MCU

1 Device Overview

1.1 Features

- CC3200 SimpleLink Wi-Fi—Consists of Applications Microcontroller, Wi-Fi Network Processor, and Power-Management Subsystems
- Wi-Fi CERTIFIED™ Chip
- Applications Microcontroller Subsystem
 - ARM® Cortex®-M4 Core at 80 MHz
 - Embedded Memory
 - RAM (Up to 256KB)
 - External Serial Flash Bootloader, and Peripheral Drivers in ROM
 - 32-Channel Direct Memory Access (μDMA)
 - Hardware Crypto Engine for Advanced Fast Security, Including
 - AES, DES, and 3DES
 - SHA2 and MD5
 - CRC and Checksum
 - 8-Bit Parallel Camera Interface
 - 1 Multichannel Audio Serial Port (McASP) Interface with Support for Two I2S Channels
 - 1 SD/MMC Interface
 - 2 Universal Asynchronous Receivers and Transmitters (UARTs)
 - 1 Serial Peripheral Interface (SPI)
 - 1 Inter-Integrated Circuit (I²C)
 - 4 General-Purpose Timers with 16-Bit Pulse-Width Modulation (PWM) Mode
 - 1 Watchdog Timer
 - 4-Channel 12-Bit Analog-to-Digital Converters (ADCs)
 - Up to 27 Individually Programmable, Multiplexed GPIO Pins
- Dedicated External SPI Interface for Serial Flash
- Wi-Fi Network Processor Subsystem
 - Featuring Wi-Fi Internet-On-a-Chip™
 - Dedicated ARM MCU
 - Completely Offloads Wi-Fi and Internet Protocols from the Application Microcontroller
 - Wi-Fi and Internet Protocols in ROM
 - 802.11 b/g/n Radio, Baseband, Medium Access Control (MAC), Wi-Fi Driver, and Supplicant
 - TCP/IP Stack
 - Industry-Standard BSD Socket Application
- Programming Interfaces (APIs)
 - 8 Simultaneous TCP or UDP Sockets
 - 2 Simultaneous TLS and SSL Sockets
- Powerful Crypto Engine for Fast, Secure Wi-Fi and Internet Connections with 256-Bit AES Encryption for TLS and SSL Connections
- Station, AP, and Wi-Fi Direct® Modes
- WPA2 Personal and Enterprise Security
- SimpleLink Connection Manager for Autonomous and Fast Wi-Fi Connections
- SmartConfig™ Technology, AP Mode, and WPS2 for Easy and Flexible Wi-Fi Provisioning
- TX Power
 - 18.0 dBm @ 1 DSSS
 - 14.5 dBm @ 54 OFDM
- RX Sensitivity
 - –95.7 dBm @ 1 DSSS
 - –74.0 dBm @ 54 OFDM
- Application Throughput
 - UDP: 16 Mbps
 - TCP: 13 Mbps
- Power-Management Subsystem
 - Integrated DC-DC Supports a Wide Range of Supply Voltage:
 - V_{BAT} Wide-Voltage Mode: 2.1 to 3.6 V
 - VIO is Always Tied with VBAT
 - Preregulated 1.85-V Mode
 - Advanced Low-Power Modes
 - Hibernate: 4 μA
 - Low-Power Deep Sleep (LPDS): 250 μA
 - RX Traffic (MCU Active): 59 mA @ 54 OFDM
 - TX Traffic (MCU Active): 229 mA @ 54 OFDM, Maximum Power
 - Idle Connected (MCU in LPDS): 825 μA @ DTIM = 1
- Clock Source
 - 40.0-MHz Crystal with Internal Oscillator
 - 32.768-kHz Crystal or External RTC Clock
- Package and Operating Temperature
 - 0.5-mm Pitch, 64-Pin, 9-mm x 9-mm QFN
 - Ambient Temperature Range: –40°C to 85°C



1.2 Applications

- For Internet-of-Things applications, such as:
 - Cloud Connectivity
 - Home Automation
 - Home Appliances
 - Access Control
 - Security Systems
 - Smart Energy
 - Internet Gateway
 - Industrial Control
 - Smart Plug and Metering
 - Wireless Audio
 - IP Network Sensor Nodes

1.3 Description

Start your design with the industry's first Wi-Fi CERTIFIED single-chip microcontroller unit (MCU) with built-in Wi-Fi connectivity. Created for the Internet of Things (IoT), the SimpleLink CC3200 device is a wireless MCU that integrates a high-performance ARM Cortex-M4 MCU, allowing customers to develop an entire application with a single IC. With on-chip Wi-Fi, Internet, and robust security protocols, no prior Wi-Fi experience is required for faster development. The CC3200 device is a complete platform solution including software, sample applications, tools, user and programming guides, reference designs, and the TI E2E™ support community. The device is available in a QFN package that is easy to layout.

The applications MCU subsystem contains an industry-standard ARM Cortex-M4 core running at 80 MHz. The device includes a wide variety of peripherals, including a fast parallel camera interface, I2S, SD/MMC, UART, SPI, I²C, and four-channel ADC. The CC3200 family includes flexible embedded RAM for code and data and ROM with external serial flash bootloader and peripheral drivers.

The Wi-Fi network processor subsystem features a Wi-Fi Internet-on-a-Chip and contains an additional dedicated ARM MCU that completely offloads the applications MCU. This subsystem includes an 802.11 b/g/n radio, baseband, and MAC with a powerful crypto engine for fast, secure Internet connections with 256-bit encryption. The CC3200 device supports Station, Access Point, and Wi-Fi Direct modes. The device also supports WPA2 personal and enterprise security and WPS 2.0. The Wi-Fi Internet-on-a-chip includes embedded TCP/IP and TLS/SSL stacks, HTTP server, and multiple Internet protocols.

The power-management subsystem includes integrated DC-DC converters supporting a wide range of supply voltages. This subsystem enables low-power consumption modes, such as the hibernate with RTC mode requiring less than 4 μ A of current.

Device Information⁽¹⁾

PART NUMBER	PACKAGE	BODY SIZE
CC3200R1MXRGCR/T ⁽²⁾	QFN (64)	9.0 mm x 9.0 mm

(1) For all available packages, see the orderable addendum at the end of the datasheet.

(2) X = 1 (128KB RAM) or 2 (256KB RAM)

1.4 Functional Block Diagram

Figure 1-1 shows the CC3200 hardware overview.

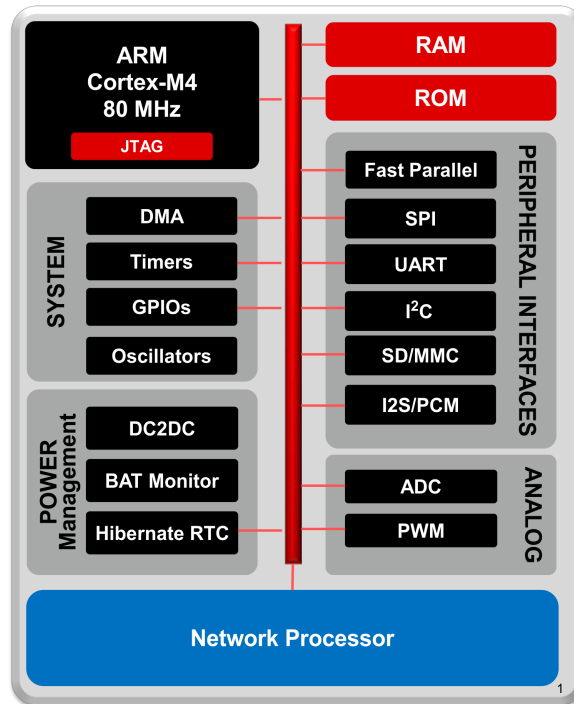


Figure 1-1. CC3200 Hardware Overview

Figure 1-2 shows an overview of the CC3200 embedded software.

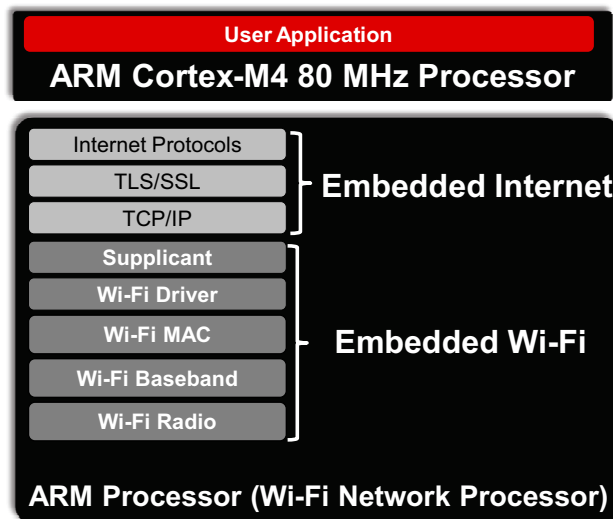


Figure 1-2. CC3200 Embedded Software Overview

Figure 1-3 shows a block diagram of the CC3200 device.

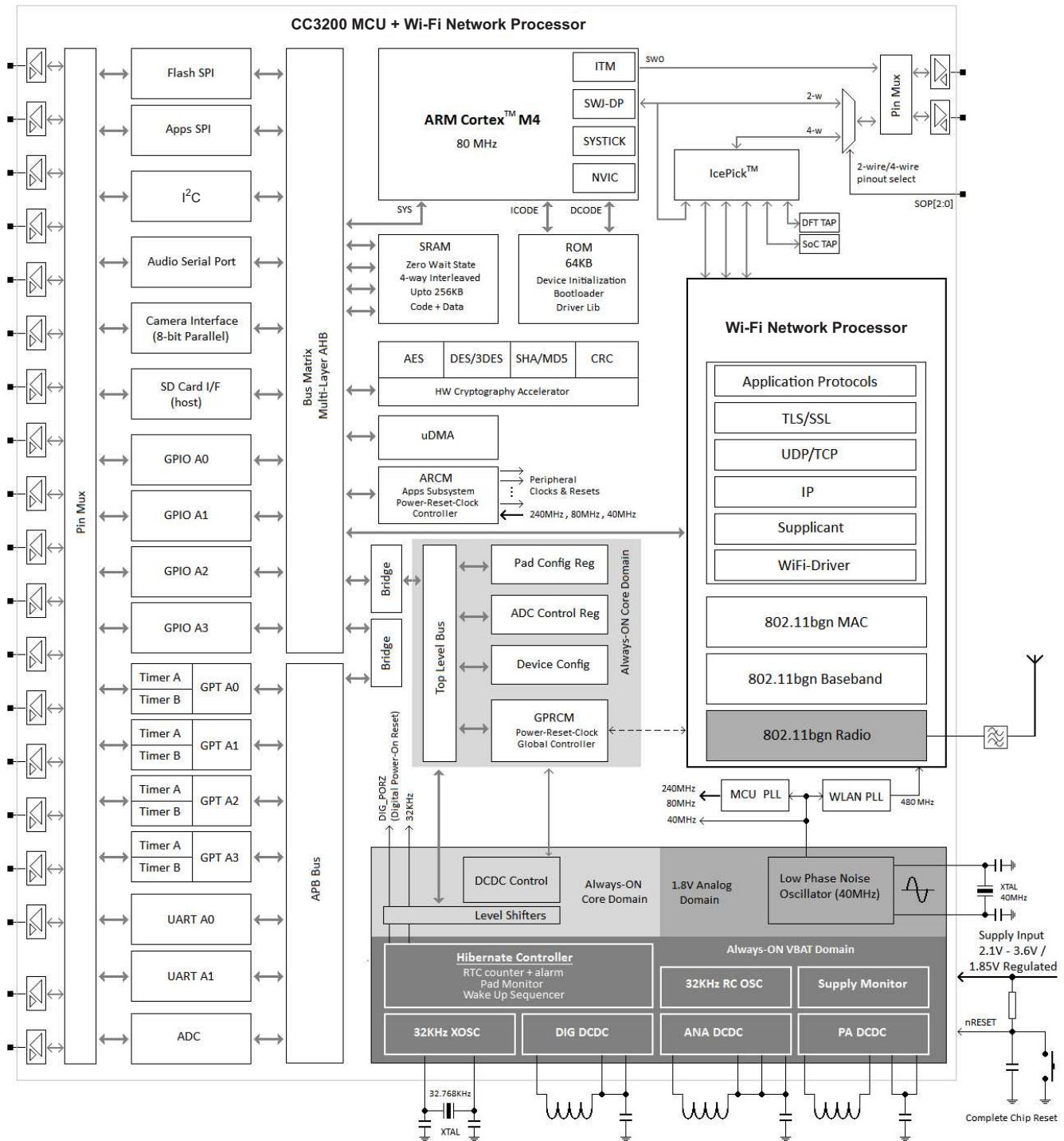


Figure 1-3. CC3200 Functional Block Diagram

Table of Contents

1 Device Overview	1	4.11 Timing and Switching Characteristics	34
1.1 Features	1	5 Detailed Description	48
1.2 Applications	2	5.1 Overview	48
1.3 Description	2	5.2 Functional Block Diagram	48
1.4 Functional Block Diagram	3	5.3 ARM Cortex-M4 Processor Core Subsystem	48
2 Revision History	5	5.4 CC3200 Device Encryption	49
3 Terminal Configuration and Functions	6	5.5 Wi-Fi Network Processor Subsystem	50
3.1 Pin Attributes and Pin Multiplexing	6	5.6 Power-Management Subsystem	51
3.2 Drive Strength and Reset States for Analog-Digital Multiplexed Pins	26	5.7 Low-Power Operating Mode	51
3.3 Pad State After Application of Power To Chip But Prior To Reset Release	26	5.8 Memory	53
4 Specifications	27	5.9 Boot Modes	55
4.1 Absolute Maximum Ratings	27	6 Applications and Implementation	58
4.2 Handling Ratings	27	6.1 Application Information	58
4.3 Power-On Hours	27	7 Device and Documentation Support	62
4.4 Recommended Operating Conditions	27	7.1 Device Support	62
4.5 Brown-Out and Black-Out	28	7.2 Documentation Support	63
4.6 Electrical Characteristics (3.3 V, 25°C)	29	7.3 Community Resources	63
4.7 WLAN Receiver Characteristics	31	7.4 Trademarks	63
4.8 WLAN Transmitter Characteristics	31	7.5 Electrostatic Discharge Caution	63
4.9 Current Consumption	31	7.6 Glossary	63
4.10 Thermal Characteristics for RGC Package	34	8 Mechanical Packaging and Orderable Information	64

2 Revision History

NOTE: Page numbers for previous revisions may differ from page numbers in the current version.

Changes from Revision E (August 2014) to Revision F	Page
• Added Wi-Fi CERTIFIED	1
• Added application throughput in Section 1.1, Features	1
• Changed LPDS drain value from 120 μ A in Section 1.1, Features	1
• Changed idle connected from 695 μ A in Section 1.1, Features	1
• Added note defining X in part number in Device Information table	2
• Changed part number in Device Information table from CC3200	2
• Changed SDCARD signal names for pins 6, 7, 8, and 64 in Table 3-1	8
• Changed use of pin 61 from no in Table 3-1	19
• Added note in Section 4.4, Recommended Operating Conditions , on avoiding the PA auto-protect feature	27
• Added Table 4-1	28
• Added note in Section 4.6, Electrical Characteristics (3.3 V, 25°C) , on proper device reset	29
• Changed Figure 4-8 to reflect T2, T3, and T4 measurements	36
• Changed Table 4-4 to reflect T2, T3, and T4 timing items	36
• Changed frequency accuracy from \pm 20 ppm in Table 4-5	38
• Added 4.11.3.6, WLAN Filter Requirements	39
• Deleted I3 (t_{LP}) and I4 (t_{HP}) from Table 4-10	41
• Deleted I3 (t_{LP}) and I4 (t_{HP}) from Table 4-11	41
• Changed TCP of throughput in Table 5-1 item 17 from 12 Mbps	50
• Changed part number of item 17 from CC3200R1-M2RTDR in Table 6-1	59
• Added note following Table 6-1	59
• Changed part number of item 16 from CC3200R1-M2RTDR in Table 6-2	61
• Added note following Table 6-2	61

3 Terminal Configuration and Functions

Figure 3-1 shows pin assignments for the 64-pin QFN package.

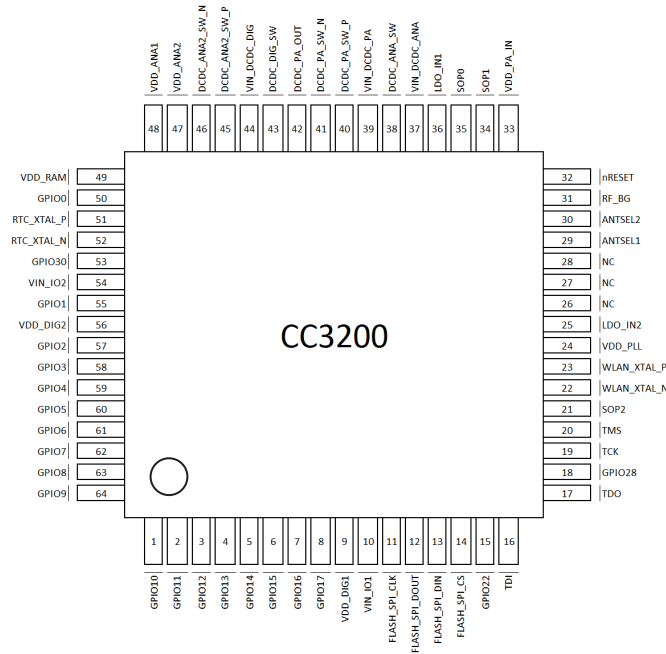


Figure 3-1. QFN 64-Pin Assignments (Top View)

3.1 Pin Attributes and Pin Multiplexing

The device makes extensive use of pin multiplexing to accommodate the large number of peripheral functions in the smallest possible package. To achieve this configuration, pin multiplexing is controlled using a combination of hardware configuration (at device reset) and register control.

NOTE

TI highly recommends using the CC3200 pin multiplexing utility to obtain the desired pinout.

The board and software designers are responsible for the proper pin multiplexing configuration. Hardware does not ensure that the proper pin multiplexing options are selected for the peripherals or interface mode used.

Table 3-1 describes the general pin attributes and presents an overview of pin multiplexing. All pin multiplexing options are configurable using the pin mux registers.

The following special considerations apply:

- All I/Os support drive strengths of 2, 4, and 6 mA. Drive strength is configurable individually for each pin.
- All I/Os support 10-µA pullups and pulldowns.
- These pulls are not active and all of the I/Os remain floating while the device is in Hibernate state.
- The VIO and V_{BAT} supply must be tied together at all times.
- All digital I/Os are nonfail-safe.

NOTE

If an external device drives a positive voltage to the signal pads and the CC3200 device is not powered, DC current is drawn from the other device. If the drive strength of the external device is adequate, an unintentional wakeup and boot of the CC3200 device can occur. To prevent current draw, TI recommends any one of the following:

- All devices interfaced to the CC3200 device must be powered from the same power rail as the chip.
 - Use level-shifters between the device and any external devices fed from other independent rails.
 - The nRESET pin of the CC3200 device must be held low until the VBAT supply to the device is driven and stable.
-

Table 3-1. Pin Multiplexing

General Pin Attributes						Function					Pad States		
Pkg Pin	Pin Alias	Use	Select as Wakeup Source	Config Addl Analog Mux	Muxed with JTAG	Dig. Pin Mux Config Reg	Dig. Pin Mux Config Mode Value	Signal Name	Signal Description	Signal Direction	LPDS ⁽¹⁾	Hib ⁽²⁾	nRESET = 0
1	GPIO10	I/O	No	No	No	GPIO_PAD_CONFIG_10 (0x4402 E0C8)	0	GPIO10	General-Purpose I/O	I/O	Hi-Z	Hi-Z	Hi-Z
							1	I2C_SCL	I2C Clock	O (Open Drain)	Hi-Z		
							3	GT_PWM06	Pulse-Width Modulated O/P	O	Hi-Z		
							7	UART1_TX	UART TX Data	O	1		
							6	SDCARD_CLK	SD Card Clock	O	0		
							12	GT_CCP01	Timer Capture Port	I	Hi-Z		
2	GPIO11	I/O	Yes	No	No	GPIO_PAD_CONFIG_11 (0x4402 E0CC)	0	GPIO11	General-Purpose I/O	I/O	Hi-Z	Hi-Z	Hi-Z
							1	I2C_SDA	I2C Data	I/O (Open Drain)	Hi-Z		
							3	GT_PWM07	Pulse-Width Modulated O/P	O	Hi-Z		
							4	pXCLK (XVCLK)	Free Clock To Parallel Camera	O	0		
							6	SDCARD_CMD	SD Card Command Line	I/O	Hi-Z		
							7	UART1_RX	UART RX Data	I	Hi-Z		
							12	GT_CCP02	Timer Capture Port	I	Hi-Z		
							13	McAFSX	I2S Audio Port Frame Sync	O	Hi-Z		

Table 3-1. Pin Multiplexing (continued)

General Pin Attributes						Function					Pad States		
Pkg Pin	Pin Alias	Use	Select as Wakeup Source	Config Addl Analog Mux	Muxed with JTAG	Dig. Pin Mux Config Reg	Dig. Pin Mux Config Mode Value	Signal Name	Signal Description	Signal Direction	LPDS ⁽¹⁾	Hib ⁽²⁾	nRESET = 0
3	GPIO12	I/O	No	No	No	GPIO_PAD_CONFIG_12 (0x4402 E0D0)	0	GPIO12	General Purpose I/O	I/O	Hi-Z	Hi-Z	Hi-Z
							3	McACLK	I2S Audio Port Clock O	O	Hi-Z		
							4	pVS (VSYNC)	Parallel Camera Vertical Sync	I	Hi-Z		
							5	I2C_SCL	I2C Clock	I/O (Open Drain)	Hi-Z		
							7	UART0_TX	UART0 TX Data	O	1		
							12	GT_CCP03	Timer Capture Port	I	Hi-Z		
4	GPIO13	I/O	Yes	No	No	GPIO_PAD_CONFIG_13 (0x4402 E0D4)	0	GPIO13	General-Purpose I/O	I/O	Hi-Z	Hi-Z	Hi-Z
							5	I2C_SDA	I2C Data	I/O (Open Drain)			
							4	pHS (HSYNC)	Parallel Camera Horizontal Sync	I			
							7	UART0_RX	UART0 RX Data	I			
							12	GT_CCP04	Timer Capture Port	I			
5	GPIO14	I/O		No	No	GPIO_PAD_CONFIG_14 (0x4402 E0D8)	0	GPIO14	General-Purpose I/O	I/O	Hi-Z	Hi-Z	Hi-Z
							5	I2C_SCL	I2C Clock	I/O (Open Drain)			
							7	GSPI_CLK	General SPI Clock	I/O			
							4	pDATA8 (CAM_D4)	Parallel Camera Data Bit 4	I			
							12	GT_CCP05	Timer Capture Port	I			

Table 3-1. Pin Multiplexing (continued)

General Pin Attributes						Function					Pad States		
Pkg Pin	Pin Alias	Use	Select as Wakeup Source	Config Addl Analog Mux	Muxed with JTAG	Dig. Pin Mux Config Reg	Dig. Pin Mux Config Mode Value	Signal Name	Signal Description	Signal Direction	LPDS ⁽¹⁾	Hib ⁽²⁾	nRESET = 0
6	GPIO15	I/O		No	No	GPIO_PAD_CONFIG_15 (0x4402 E0DC)	0	GPIO15	General-Purpose I/O	I/O	Hi-Z	Hi-Z	Hi-Z
							5	I2C_SDA	I2C Data	I/O (Open Drain)			
							7	GSPI_MISO	General SPI MISO	I/O			
							4	pDATA9 (CAM_D5)	Parallel Camera Data Bit 5	I			
							13	GT_CCP06	Timer Capture Port	I			
							8	SDCARD_DATA0	SD Card Data	I/O			
7	GPIO16	I/O		No	No	GPIO_PAD_CONFIG_16 (0x4402 E0E0)	0	GPIO16	General-Purpose I/O	I/O	Hi-Z	Hi-Z	Hi-Z
											Hi-Z		
											Hi-Z		
							7	GSPI_MOSI	General SPI MOSI	I/O	Hi-Z		
							4	pDATA10 (CAM_D6)	Parallel Camera Data Bit 6	I	Hi-Z		
							5	UART1_TX	UART1 TX Data	O	1		
							13	GT_CCP07	Timer Capture Port	I	Hi-Z		
8	SDCARD_CLK	SD Card Clock	O	O									
8	GPIO17	I/O	Wake-Up Source	No	No	GPIO_PAD_CONFIG_17 (0x4402 E0E4)	0	GPIO17	General-Purpose I/O	I/O	Hi-Z	Hi-Z	Hi-Z
							5	UART1_RX	UART1 RX Data	I			
							7	GSPI_CS	General SPI Chip Select	I/O			
							4	pDATA11 (CAM_D7)	Parallel Camera Data Bit 7	I			
							8	SDCARD_CMD	SD Card Command Line	I/O			

Table 3-1. Pin Multiplexing (continued)

General Pin Attributes						Function					Pad States		
Pkg Pin	Pin Alias	Use	Select as Wakeup Source	Config Addl Analog Mux	Muxed with JTAG	Dig. Pin Mux Config Reg	Dig. Pin Mux Config Mode Value	Signal Name	Signal Description	Signal Direction	LPDS ⁽¹⁾	Hib ⁽²⁾	nRESET = 0
9	VDD_DIG1	Int pwr	N/A	N/A	N/A	N/A	N/A	VDD_DIG1	Internal Digital Core Voltage				
10	VIN_IO1	Sup. input	N/A	N/A	N/A	N/A	N/A	VIN_IO1	Chip Supply Voltage (VBAT)				
11	FLASH_SPI_CLK	O	N/A	N/A	N/A	N/A	N/A	FLASH_SPI_CLK	Clock To SPI Serial Flash (Fixed Default)	O	Hi-Z ⁽³⁾	Hi-Z	Hi-Z
12	FLASH_SPI_DOUT	O	N/A	N/A	N/A	N/A	N/A	FLASH_SPI_DOUT	Data To SPI Serial Flash (Fixed Default)	O	Hi-Z ⁽³⁾	Hi-Z	Hi-Z
13	FLASH_SPI_DIN	I	N/A	N/A	N/A	N/A	N/A	FLASH_SPI_DIN	Data From SPI Serial Flash (Fixed Default)	I			
14	FLASH_SPI_CS	O	N/A	N/A	N/A	N/A	N/A	FLASH_SPI_CS	Chip Select To SPI Serial Flash (Fixed Default)	O	1	Hi-Z	Hi-Z
15	GPIO22	I/O	No	No	No	GPIO_PAD_CONFIG_22 (0x4402 E0F8)	0	GPIO22	General-Purpose I/O	I/O	Hi-Z	Hi-Z	Hi-Z
							7	McAFSX	I2S Audio Port Frame Sync	O	Hi-Z		
							5	GT_CCP04	Timer Capture Port	I			
16	TDI	I/O	No	No	MUXed with JTAG TDI	GPIO_PAD_CONFIG_23 (0x4402 E0FC)	1	TDI	JTAG TDI. Reset Default Pinout.	I	Hi-Z	Hi-Z	Hi-Z
							0	GPIO23	General-Purpose I/O	I/O			
							2	UART1_TX	UART1 TX Data	O	1		
							9	I2C_SCL	I2C Clock	I/O (Open Drain)	Hi-Z		

Table 3-1. Pin Multiplexing (continued)

General Pin Attributes						Function					Pad States		
Pkg Pin	Pin Alias	Use	Select as Wakeup Source	Config Addl Analog Mux	Muxed with JTAG	Dig. Pin Mux Config Reg	Dig. Pin Mux Config Mode Value	Signal Name	Signal Description	Signal Direction	LPDS ⁽¹⁾	Hib ⁽²⁾	nRESET = 0
17	TDO	I/O	Wake-Up Source	No	MUXed with JTAG TDO	GPIO_PAD_CONFIG_24 (0x4402 E100)	1	TDO	JTAG TDO. Reset Default Pinout.	O	Hi-Z	Hi-Z	Hi-Z
							0	GPIO24	General-Purpose I/O	I/O			
							5	PWM0	Pulse Width Modulated O/P	O			
							2	UART1_RX	UART1 RX Data	I			
							9	I2C_SDA	I2C Data	I/O (Open Drain)			
							4	GT_CCP06	Timer Capture Port	I			
							6	McAFSX	I2S Audio Port Frame Sync	O			
18	GPIO28	I/O		No		GPIO_PAD_CONFIG_28 (0x4402 E110)	0	GPIO28	General-Purpose I/O	I/O	Hi-Z	Hi-Z	Hi-Z
19	TCK	I/O	No	No	MUXed with JTAG/SWD-TCK		1	TCK	JTAG/SWD TCK Reset Default Pinout	I	Hi-Z	Hi-Z	Hi-Z
							8	GT_PWM03	Pulse Width Modulated O/P	O			
20	TMS	I/O	No	No	MUXed with JTAG/SWD-TMSC	GPIO_PAD_CONFIG_29 (0x4402 E114)	1	TMS	JTAG/SWD TMS Reset Default Pinout	I/O	Hi-Z	Hi-Z	Hi-Z
							0	GPIO29	General-Purpose I/O				

Table 3-1. Pin Multiplexing (continued)

General Pin Attributes						Function					Pad States		
Pkg Pin	Pin Alias	Use	Select as Wakeup Source	Config Addl Analog Mux	Muxed with JTAG	Dig. Pin Mux Config Reg	Dig. Pin Mux Config Mode Value	Signal Name	Signal Description	Signal Direction	LPDS ⁽¹⁾	Hib ⁽²⁾	nRESET = 0
21 ⁽⁴⁾⁽⁵⁾	SOP2	O Only	No	No	No	GPIO_PAD_CONFIG_25 (0x4402 E104)	0	GPIO25	General-Purpose I/O	O	Hi-Z	Driven Low	Hi-Z
							9	GT_PWM02	Pulse Width Modulated O/P	O	Hi-Z		
							2	McAFSX	I2S Audio Port Frame Sync	O	Hi-Z		
							See ⁽⁶⁾	TCXO_EN	Enable to Optional External 40-MHz TCXO	O	O		
							See ⁽⁷⁾	SOP2	Sense-On-Power 2	I			
22	WLAN_XTAL_N	WLAN Ana.	N/A	N/A	N/A	N/A	See ⁽⁶⁾	WLAN_XTAL_N	40-MHz XTAL Pulldown if ext TCXO is used.				
23	WLAN_XTAL_P	WLAN Ana.	N/A	N/A	N/A	N/A		WLAN_XTAL_P	40-MHz XTAL or TCXO clock input				
24	VDD_PLL	Int. Pwr	N/A	N/A	N/A	N/A		VDD_PLL	Internal analog voltage				
25	LDO_IN2	Int. Pwr	N/A	N/A	N/A	N/A		LDO_IN2	Analog RF supply from ANA DC-DC output				
26	NC	WLAN Ana.	N/A	N/A	N/A	N/A		NC	Reserved				
27	NC	WLAN Ana.	N/A	N/A	N/A	N/A		NC	Reserved				
28	NC	WLAN Ana.	N/A	N/A	N/A	N/A		NC	Reserved				
29 ⁽⁸⁾	ANTSEL1	O Only	No	User config not required ⁽⁹⁾	No	GPIO_PAD_CONFIG_26 (0x4402 E108)	0	ANTSEL1 ⁽³⁾	Antenna Selection Control	O	Hi-Z	Hi-Z	Hi-Z
30 ⁽⁸⁾	ANTSEL2	O Only	No	User config not required ⁽⁹⁾	No	GPIO_PAD_CONFIG_27 (0x4402 E10C)	0	ANTSEL2 ⁽³⁾	Antenna Selection Control	O	Hi-Z	Hi-Z	Hi-Z
31	RF_BG	WLAN Ana.	N/A	N/A	N/A	N/A		RF_BG	RF BG band				

Table 3-1. Pin Multiplexing (continued)

General Pin Attributes						Function					Pad States		
Pkg Pin	Pin Alias	Use	Select as Wakeup Source	Config Addl Analog Mux	Muxed with JTAG	Dig. Pin Mux Config Reg	Dig. Pin Mux Config Mode Value	Signal Name	Signal Description	Signal Direction	LPDS ⁽¹⁾	Hib ⁽²⁾	nRESET = 0
32	nRESET	Glob. Rst	N/A	N/A	N/A	N/A		nRESET	Master chip reset. Active low.				
33	VDD_PA_IN	Int. Pwr	N/A	N/A	N/A	N/A		VDD_PA_IN	PA supply voltage from PA DC-DC output.				
34 ⁽⁵⁾	SOP1	Config Sense	N/A	N/A	N/A	N/A		SOP1	Sense On Power 1				
35 ⁽⁵⁾	SOP0	Config Sense	N/A	N/A	N/A	N/A		SOP0	Sense On Power 0				
36	LDO_IN1	Internal Power	N/A	N/A	N/A	N/A		LDO_IN1	Analog RF supply from ana DC-DC output				
37	VIN_DCDC_ANA	Supply Input	N/A	N/A	N/A	N/A		VIN_DCDC_ANA	Analog DC-DC input (connected to chip input supply [VBAT])				
38	DCDC_ANA_SW	Internal Power	N/A	N/A	N/A	N/A		DCDC_ANA_SW	Analog DC-DC switching node.				
39	VIN_DCDC_PA	Supply Input	N/A	N/A	N/A	N/A		VIN_DCDC_PA	PA DC-DC input (connected to chip input supply [VBAT])				
40	DCDC_PA_SW_P	Internal Power	N/A	N/A	N/A	N/A		DCDC_PA_SW_P	PA DCDC switching node				
41	DCDC_PA_SW_N	Internal Power	N/A	N/A	N/A	N/A		DCDC_PA_SW_N	PA DCDC switching node				
42	DCDC_PA_OUT	Internal Power	N/A	N/A	N/A	N/A		DCDC_PA_OUT	PA buck converter output				
43	DCDC_DIG_SW	Internal Power	N/A	N/A	N/A	N/A		DCDC_DIG_SW	DIG DC-DC switching node				
44	VIN_DCDC_DIG	Supply Input	N/A	N/A	N/A	N/A		VIN_DCDC_DIG	DIG DC-DC input (connected to chip input supply [VBAT])				

Table 3-1. Pin Multiplexing (continued)

General Pin Attributes						Function					Pad States		
Pkg Pin	Pin Alias	Use	Select as Wakeup Source	Config Addl Analog Mux	Muxed with JTAG	Dig. Pin Mux Config Reg	Dig. Pin Mux Config Mode Value	Signal Name	Signal Description	Signal Direction	LPDS ⁽¹⁾	Hib ⁽²⁾	nRESET = 0
45 ⁽¹⁰⁾	DCDC_ANA2_SW_P	I/O	No	User config not required ⁽⁹⁾⁽¹¹⁾	No	GPIO_PAD_CONFIG_31 (0x4402 E11C)	0	GPIO31	General-Purpose I/O	I/O	Hi-Z	Hi-Z	Hi-Z
							9	UART0_RX	UART0 RX Data	I			
							12	McAFSX	I2S Audio Port Frame Sync	O			
							2	UART1_RX	UART1 RX Data	I			
							6	McAXR0	I2S Audio Port Data 0 (RX/TX)	I/O			
							7	GSPI_CLK	General SPI Clock	I/O			
							See ⁽⁶⁾	DCDC_ANA2_SW_P	ANA2 DCDC Converter +ve Switching Node.				
46	DCDC_ANA2_SW_N	Internal Power	N/A	N/A	N/A	N/A	N/A	DCDC_ANA2_SW_N	ANA2 DCDC Converter -ve Switching Node.				
47	VDD_ANA2	Internal Power	N/A	N/A	N/A	N/A	N/A	VDD_ANA2	ANA2 DCDC O				
48	VDD_ANA1	Internal Power	N/A	N/A	N/A	N/A	N/A	VDD_ANA1	Analog supply fed by ANA2 DCDC output				
49	VDD_RAM	Internal Power	N/A	N/A	N/A	N/A	N/A	VDD_RAM	SRAM LDO output				

Table 3-1. Pin Multiplexing (continued)

General Pin Attributes						Function					Pad States		
Pkg Pin	Pin Alias	Use	Select as Wakeup Source	Config Addl Analog Mux	Muxed with JTAG	Dig. Pin Mux Config Reg	Dig. Pin Mux Config Mode Value	Signal Name	Signal Description	Signal Direction	LPDS ⁽¹⁾	Hib ⁽²⁾	nRESET = 0
50	GPIO0	I/O	No	User config not required ⁽⁹⁾	No	GPIO_PAD_CONFIG_0 (0x4402 E0A0)	0	GPIO0	General-Purpose I/O	I/O	Hi-Z	Hi-Z	Hi-Z
							12	UART0_CTS	UART0 Clear To Send Input (Active Low)	I	Hi-Z	Hi-Z	Hi-Z
							6	McAXR1	I2S Audio Port Data 1 (RX/TX)	I/O	Hi-Z		
							7	GT_CCP00	Timer Capture Port	I	Hi-Z		
							9	GSPI_CS	General SPI Chip Select	I/O	Hi-Z		
							10	UART1_RTS	UART1 Request To Send 0 (Active Low)	O	1		
							3	UART0_RTS	UART0 Request To Send 0 (Active Low)	O	1		
							4	McAXR0	I2S Audio Port Data 0 (RX/TX)	I/O	Hi-Z		
51	RTC_XTAL_P	RTC Clock	N/A	N/A	N/A	N/A		RTC_XTAL_P	Connect 32.768-kHz XTAL or Froce external CMOS level clock				

Table 3-1. Pin Multiplexing (continued)

General Pin Attributes						Function					Pad States		
Pkg Pin	Pin Alias	Use	Select as Wakeup Source	Config Addl Analog Mux	Muxed with JTAG	Dig. Pin Mux Config Reg	Dig. Pin Mux Config Mode Value	Signal Name	Signal Description	Signal Direction	LPDS ⁽¹⁾	Hib ⁽²⁾	nRESET = 0
52 ⁽¹⁰⁾	RTC_XTAL_N	O Only		User config not required ⁽⁹⁾⁽¹²⁾	No	GPIO_PAD_CONFIG_32 (0x4402 E120)		RTC_XTAL_N	Connect 32.768-kHz XTAL or connect a 100 kΩ to V _{supply} .				
							0	GPIO32	General-Purpose I/O	I/O	Hi-Z		
							2	McACLK	I2S Audio Port Clock O	O	Hi-Z		
							4	McAXR0	I2S Audio Port Data (Only O Mode Supported On Pin 52)	O	Hi-Z	Hi-Z	Hi-Z
							6	UART0_RTS	UART0 Request To Send O (Active Low)	O	1		
							8	GSPI_MOSI	General SPI MOSI	I/O	Hi-Z		
53	GPIO30	I/O	No	User config not required ⁽⁹⁾	No	GPIO_PAD_CONFIG_30 (0x4402 E118)	0	GPIO30	General-Purpose I/O	I/O	Hi-Z	Hi-Z	Hi-Z
							9	UART0_TX	UART0 TX Data	O	1		
							2	McACLK	I2S Audio Port Clock O	O	Hi-Z		
							3	McAFSX	I2S Audio Port Frame Sync	O	Hi-Z		
							4	GT_CCP05	Timer Capture Port	I	Hi-Z		
							7	GSPI_MISO	General SPI MISO	I/O	Hi-Z		
54	VIN_IO2	Supply Input	N/A	N/A	N/A	N/A		VIN_IO2	Chip Supply Voltage (VBAT)				

Table 3-1. Pin Multiplexing (continued)

General Pin Attributes						Function					Pad States		
Pkg Pin	Pin Alias	Use	Select as Wakeup Source	Config Addl Analog Mux	Muxed with JTAG	Dig. Pin Mux Config Reg	Dig. Pin Mux Config Mode Value	Signal Name	Signal Description	Signal Direction	LPDS ⁽¹⁾	Hib ⁽²⁾	nRESET = 0
55	GPIO1	I/O	No	No	No	GPIO_PAD_CONFIG_1 (0x4402 E0A4)	0	GPIO1	General-Purpose I/O	I/O	Hi-Z	Hi-Z	Hi-Z
							3	UART0_TX	UART0 TX Data	O	1		
							4	pCLK (PIXCLK)	Pixel Clock From Parallel Camera Sensor	I	Hi-Z		
							6	UART1_TX	UART1 TX Data	O	1		
							7	GT_CCP01	Timer Capture Port	I	Hi-Z		
56	VDD_DIG2	Internal Power	N/A	N/A	N/A	N/A		VDD_DIG2	Internal Digital Core Voltage				
57 ⁽¹³⁾	GPIO2	Analog Input (up to 1.8 V)/ Digital I/O	Wake-Up Source	See ⁽¹⁰⁾⁽¹⁴⁾	No	GPIO_PAD_CONFIG_2 (0x4402 E0A8)	See ⁽⁶⁾	ADC_CH0	ADC Channel 0 Input (1.5V max)	I		Hi-Z	Hi-Z
							0	GPIO2	General-Purpose I/O	I/O	Hi-Z		
							3	UART0_RX	UART0 RX Data	I	Hi-Z		
							6	UART1_RX	UART1 RXt Data	I	Hi-Z		
							7	GT_CCP02	Timer Capture Port	I	Hi-Z		
58 ⁽¹³⁾	GPIO3	Analog Input (up to 1.8 V)/ Digital I/O	No	See ⁽¹⁰⁾⁽¹⁴⁾	No	GPIO_PAD_CONFIG_3 (0x4402 E0AC)	See ⁽⁶⁾	ADC_CH1	ADC Channel 1 Input (1.5V max)	I		Hi-Z	Hi-Z
							0	GPIO3	General-Purpose I/O	I/O	Hi-Z		
							6	UART1_TX	UART1 TX Data	O	1		
							4	pDATA7 (CAM_D3)	Parallel Camera Data Bit 3	I	Hi-Z		
59 ⁽¹³⁾	GPIO4	Analog Input (up to 1.8 V)/ Digital I/O	Wake-up Source	See ⁽¹⁰⁾⁽¹⁴⁾	No	GPIO_PAD_CONFIG_4 (0x4402 E0B0)	See ⁽⁶⁾	ADC_CH2	ADC Channel 2 Input (1.5V max)	I		Hi-Z	Hi-Z
							0	GPIO4	General-Purpose I/O	I/O	Hi-Z		
							6	UART1_RX	UART1 RX Data	I	Hi-Z		
							4	pDATA6 (CAM_D2)	Parallel Camera Data Bit 2	I	Hi-Z		

Table 3-1. Pin Multiplexing (continued)

General Pin Attributes						Function					Pad States		
Pkg Pin	Pin Alias	Use	Select as Wakeup Source	Config Addl Analog Mux	Muxed with JTAG	Dig. Pin Mux Config Reg	Dig. Pin Mux Config Mode Value	Signal Name	Signal Description	Signal Direction	LPDS ⁽¹⁾	Hib ⁽²⁾	nRESET = 0
60 ⁽¹³⁾	GPIO5	Analog Input (up to 1.8 V)/ Digital I/O	No	See (10) (14)	No	GPIO_PAD_CONFIG_5 (0x4402 E0B4)	See (6)	ADC_CH3	ADC Channel 3 Input (1.5V max)	I		Hi-Z	Hi-Z
							0	GPIO5	General-Purpose I/O	I/O	Hi-Z		
							4	pDATA5 (CAM_D1)	Parallel Camera Data Bit 1	I	Hi-Z		
							6	McAXR1	I2S Audio Port Data 1 (RX/TX)	I/O	Hi-Z		
							7	GT_CCP05	Timer Capture Port	I	Hi-Z		
61	GPIO6	I/O	No	No	No	GPIO_PAD_CONFIG_6 (0x4402 E0B8)	0	GPIO6	General-Purpose I/O	I/O	Hi-Z	Hi-Z	Hi-Z
							5	UART0_RTS	UART0 Request To Send O (Active Low)	O	1		
							4	pDATA4 (CAM_D0)	Parallel Camera Data Bit 0	I	Hi-Z		
							3	UART1_CTS	UART1 Clear To Send Input (Active Low)	I	Hi-Z		
							6	UART0_CTS	UART0 Clear To Send Input (Active Low)	I	Hi-Z		
							7	GT_CCP06	Timer Capture Port	I	Hi-Z		
62	GPIO7	I/O	No	No	No	GPIO_PAD_CONFIG_7 (0x4402 E0BC)	0	GPIO7	General-Purpose I/O	I/O	Hi-Z	Hi-Z	Hi-Z
							13	McACLKX	I2S Audio Port Clock O	O	Hi-Z		
							3	UART1_RTS	UART1 Request To Send O (Active Low)	O	1		
							10	UART0_RTS	UART0 Request To Send O (Active Low)	O	1		
							11	UART0_TX	UART0 TX Data	O	1		

Table 3-1. Pin Multiplexing (continued)

General Pin Attributes						Function					Pad States		
Pkg Pin	Pin Alias	Use	Select as Wakeup Source	Config Addl Analog Mux	Muxed with JTAG	Dig. Pin Mux Config Reg	Dig. Pin Mux Config Mode Value	Signal Name	Signal Description	Signal Direction	LPDS ⁽¹⁾	Hib ⁽²⁾	nRESET = 0
63	GPIO8	I/O	No	No	No	GPIO_PAD_CONFIG_8 (0x4402 E0C0)	0	GPIO8	General-Purpose I/O	I/O	Hi-Z	Hi-Z	Hi-Z
							6	SDCARD_IRQ	Interrupt from SD Card (Future support)	I			
							7	McAFSX	I2S Audio Port Frame Sync	O			
							12	GT_CCP06	Timer Capture Port	I			
64	GPIO9	I/O	No	No	No	GPIO_PAD_CONFIG_9 (0x4402 E0C4)	0	GPIO9	General-Purpose I/O	I/O	Hi-Z	Hi-Z	Hi-Z
							3	GT_PWM05	Pulse Width Modulated O/P	O			
							6	SDCARD_DATA0	SD Cad Data	I/O			
							7	McAXR0	I2S Audio Port Data (Rx/Tx)	I/O			
							12	GT_CCP00	Timer Capture Port	I			
65	GND_TAB								Thermal pad and electrical ground				

- (1) LPDS mode: The state of unused GPIOs in LPDS is input with 500 kΩ pull-down. For all used GPIOs, the user can enable internal pulls, which would hold them in a valid state.
- (2) Hibernate mode: The CC3200 device leaves the digital pins in a Hi-Z state without any internal pulls when the device enters hibernate state. This can cause glitches on output lines unless held at valid levels by external resistors.
- (3) To minimize leakage in some serial flash vendors during LPDS, TI recommends the user application always enable internal weak pull-downs on FLASH_SPI_DATA and FLASH_SPI_CLK pins.
- (4) This pin has dual functions: as a SOP[2] (device operation mode), and as an external TCXO enable. As a TXCO enable, the pin is an output on power up and driven logic high. During hibernate low-power mode, the pin is in a high impedance state but pulled down for SOP mode to disable TCXO. Because of SOP functionality, the pin must be used as output only.
- (5) Higher leakage current from the onboard serial flash can occur due to floating inputs when the device enters Hibernate mode. See reference schematics for recommended pull-up and pull-down resistors.
- (6) For details on proper use, see [Section 3.2, Drive Strength and Reset States for Analog-Digital Multiplexed Pins](#).
- (7) This pin is one of three that must have a passive pullup or pulldown resistor on board to configure the chip hardware power-up mode. For this reason, the pin must be output only when used for digital functions.
- (8) This pin is reserved for WLAN antenna selection, controlling an external RF switch that multiplexes the RF pin of the CC3200 device between two antennas. These pins should not be used for other functionalities in general.

- (9) Device firmware automatically enables the digital path during ROM boot.
- (10) Pin 45 is used by an internal DC-DC (ANA2_DCDC) and pin 52 is used by the RTC XTAL oscillator. These modules use automatic configuration sensing. Therefore, some board-level configuration is required to use pin 45 and pin 52 as digital pads (see Figure 3-2). Because the CC3200R device does not require ANA2_DCDC, the pin can always be used for digital functions. However, pin 47 must be shorted to the supply input. Typically, pin 52 is used for RTC XTAL in most applications. However, in some applications a 32.768-kHz square-wave clock might always be available onboard. In such cases, the XTAL can be removed to free up pin 52 for digital functions. The external clock must then be applied at pin 51. For the chip to automatically detect this configuration, a 100K pull-up resistor must be connected between pin 52 and the supply line. To prevent false detection, TI recommends using pin 52 for output-only functions.
- (11) VDD_FLASH must be shorted to V_{supply}.
- (12) To use the digital functions, RTC_XTAL_N must be pulled high to V_{supply} using 100-KΩ resistor.
- (13) This pin is shared by the ADC inputs and digital I/O pad cells. Important: The ADC inputs are tolerant up to 1.8 V. On the other hand, the digital pads can tolerate up to 3.6 V. Hence, care must be taken to prevent accidental damage to the ADC inputs. TI recommends that the output buffer(s) of the digital I/Os corresponding to the desired ADC channel be disabled first (that is, converted to high-impedance state), and thereafter the respective pass switches (S7, S8, S9, S10) should be enabled (see Section 3.2, Drive Strength and Reset States for Analog-Digital Multiplexed Pins).
- (14) Requires user configuration to enable the ADC channel analog switch. (The switch is off by default.) The digital I/O is always connected and must be made Hi-Z before enabling the ADC switch.

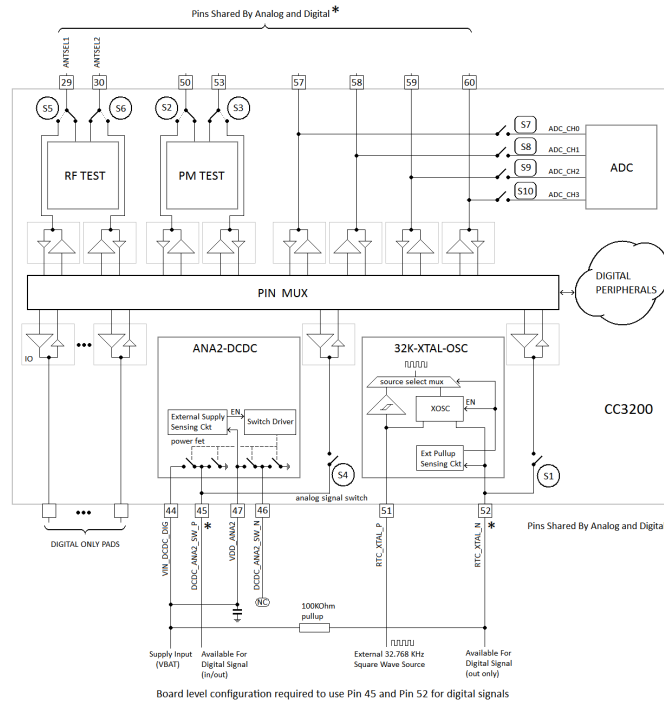


Figure 3-2. Board Configuration to Use Pins 45 and 52 as Digital Signals

3.1.1 Connections for Unused Pins

All unused pins must be left as no connect (NC) pins. For a list of NC pins, see [Table 3-2](#).

Table 3-2. Connections for Unused Pins

FUNCTION	SIGNAL NAME	PIN NUMBER
WLAN Analog	NC	26
WLAN Analog	NC	27
WLAN Analog	NC	28

3.1.2 Recommended Pin Multiplexing Configurations

Table 3-3 lists the recommended pin multiplexing configurations.

Table 3-3. Recommended Pin Multiplexing Configurations

CC3200 Recommended Pinout Grouping Use – Examples ⁽¹⁾											
	Home Security High-end Toys	Wifi Audio ++ Industrial	Sensor-Tag	Home Security Toys	Wifi Audio ++ Industrial	WiFi Remote w/ 7x7 keypad and audio	Sensor Door-Lock Fire-Alarm Toys w/o Cam	Industrial Home Appliances	Industrial Home Appliances Smart-Plug	Industrial Home Appliances"	GPIOs
	External 32 kHz ⁽²⁾	External 32 kHz ⁽²⁾								External TCXO 40 MHz (-40 to +85°C)	
	Cam + I2S (Tx or Rx) + I2C + SPI + SWD + UART-Tx + (App Logger) 2 GPIO + 1PWM + *4 overlaid wakeup from Hib	I2S (Tx & Rx) + 1 Ch ADC + 1x 4wire UART + 1x 2wire UART + 1bit SD Card + SPI + I2C + SWD + 3 GPIO + 1 PWM + 1 GPIO with Wake-From-Hib	I2S (Tx & Rx) + 2 Ch ADC + 2wire UART + SPI + I2C + SWD + 2 PWM + 6 GPIO + 3 GPIO with Wake-From-Hib	Cam + I2S (Tx or Rx) + I2C + SWD + UART-Tx + (App Logger) 4 GPIO + 1PWM + *4 overlaid wakeup from HIB	I2S (Tx & Rx) + 1 Ch ADC + 2x 2wire UART + 1bit SD Card + SPI + I2C + SWD + 4 GPIO + 1 PWM + 1 GPIO with Wake-From-Hib	I2S (Tx & Rx) + 1 Ch ADC + UART (Tx Only) I2C + SWD + 15 GPIO + 1 PWM + 1 GPIO with Wake-From-Hib	I2S (Tx or Rx) + 2 Ch ADC + 2 wire UART + SPI + I2C + 3 PWM + 3 GPIO with Wake-From-Hib + 5 GPIO SWD +	4 Ch ADC + 1x 4wire UART + 1x 2wire UART + SPI + I2C + SWD + 1 PWM + 6 GPIO + 1 GPIO with Wake-From-Hib Enable for Ext 40 MHz TCXO	3 Ch ADC + 2wire UART + SPI + I2C + SWD + 3 PWM + 9 GPIO + 2 GPIO with Wake-From-Hib	2 Ch ADC + 2wire UART + I2C + SWD + 3 PWM + 11 GPIO + 5 GPIO with Wake-From-Hib	
Pin Number	Pinout #11	Pinout #10	Pinout #9	Pinout #8	Pinout #7	Pinout #6	Pinout #5	Pinout #4	Pinout #3	Pinout #2	Pinout #1
52	GSPI-MOSI	McASP-D0 (Tx)									GPIO_32 output only
53	GSPI-MISO	MCASP-ACLKX	MCASP-ACLKX	GPIO_30	GPIO_30	GPIO_30	GPIO_30	UART0-TX	GPIO_30	UART0-TX	GPIO_30
45	GSPI-CLK	McASP-AFSX	McASP-D0	GPIO_31	McASP-AFSX	McASP-AFSX	McASP-AFSX	UART0-RX	GPIO_31	UART0-RX	GPIO_31
50	GSPI-CS	McASP-D1 (Rx)	McASP-D1	McASP-D1	McASP-D1	McASP-D1	McASP-D1	UART0-CTS	GPIO_0	GPIO_0	GPIO_0
55	pCLK (PIXCLK)	UART0-TX	UART0-TX	PIXCLK	UART0-TX	UART0-TX	UART0-TX	GPIO-1	UART0-TX	GPIO_1	GPIO_1
57	(wake) GPIO2	UART0-RX	UART0-RX	(wake) GPIO2	UART0-RX	GPIO_2	UART0-RX	ADC-0	UART0-RX	(wake) GPIO_2	(wake) GPIO_2
58	pDATA7 (D3)	UART1-TX	ADC-CH1	pDATA7 (D3)	UART1-TX	GPIO_3	ADC-1	ADC-1	ADC-1	ADC-1	GPIO_3

(1) Pins marked "wake" can be configured to wake up the chip from HIBERNATE or LPDS state. In the current silicon revision, any wake pin can trigger wake up from HIBERNATE. The wakeup monitor in the hibernate control module logically ORs these pins applying a selection mask. However, wakeup from LPDS state can be triggered only by one of the wakeup pins that can be configured before entering LPDS. The core digital wakeup monitor use a mux to select one of these pins to monitor.

(2) The device supports the feeding of an external 32.768-kHz clock. This configuration frees one pin (32K_XTAL_N) to use in output-only mode with a 100k pullup.

Table 3-3. Recommended Pin Multiplexing Configurations (continued)

CC3200 Recommended Pinout Grouping Use – Examples ⁽¹⁾											
59	pDATA6 (D2)	UART1-RX	(wake) GPIO_4	pDATA6 (D2)	UART1-RX	GPIO_4	(wake) GPIO_4	ADC-2	ADC-2	(wake) GPIO_4	(wake) GPIO_4
60	pDATA5 (D1)	ADC-3	ADC-3	pDATA5 (D1)	ADC-3	ADC-3	ADC-3	ADC-3	ADC-3	ADC-3	GPIO_5
61	pDATA4 (D0)	UART1-CTS	GPIO_6	pDATA4 (D0)	GPIO_6	GPIO_6	GPIO_6	UART0-RTS	GPIO_6	GPIO_6	GPIO_6
62	McASP-ACLKX	UART1-RTS	GPIO_7	McASP-ACLKX	McASP-ACLKX	McASP-ACLKX	McASP-ACLKX	GPIO_7	GPIO_7	GPIO_7	GPIO_7
63	McASP-AFSX	SDCARD-IRQ	McASP-AFSX	McASP-AFSX	SDCARD-IRQ	GPIO_8	GPIO_8	GPIO_8	GPIO_8	GPIO_8	GPIO_8
64	McASP-D0	SDCARD-DATA	GT_PWM5	McASP-D0	SDCARD-DATA	GPIO_9	GT_PWM5	GT_PWM5	GT_PWM5	GT_PWM5	GPIO_9
1	UART1-TX	SDCARD-CLK	GPIO_10	UART1-TX	SDCARD-CLK	GPIO_10	GT_PWM6	UART1-TX	GT_PWM6	GPIO_10	GPIO_10
2	(wake) pXCLK (XVCLK)	SDCARD-CMD	(wake) GPIO_11	(wake) pXCLK (XVCLK)	SDCARD-CMD	GPIO_11	(wake) GPIO_11	UART1-RX	(wake) GPIO_11	(wake) GPIO_11	(wake) GPIO_11
3	pVS (VSYNC)	I2C-SCL	I2C-SCL	pVS (VSYNC)	I2C-SCL	GPIO_12	I2C-SCL	I2C-SCL	I2C-SCL	GPIO_12	GPIO_12
4	(wake) pHS (HSYNC)	I2C-SDA	I2C-SDA	(wake) pHS (HSYNC)	I2C-SDA	GPIO_13	I2C-SDA	I2C-SDA	I2C-SDA	(wake) GPIO_13	(wake) GPIO_13
5	pDATA8 (D4)	GSPI-CLK	GSPI-CLK	pDATA8 (D4)	GSPI-CLK	I2C-SCL	GSPI-CLK	GSPI-CLK	GSPI-CLK	I2C-SCL	GPIO_14
6	pDATA9 (D5)	GSPI-MISO	GSPI-MISO	pDATA9 (D5)	GSPI-MISO	I2C-SDA	GSPI-MISO	GSPI-MISO	GSPI-MISO	I2C-SDA	GPIO_15
7	pDATA10 (D6)	GSPI-MOSI	GSPI-MOSI	pDATA10 (D6)	GSPI-MOSI	GPIO_16	GSPI-MOSI	GSPI-MOSI	GSPI-MOSI	GPIO_16	GPIO_16
8	(wake) pDATA11 (D7)	GSPI-CS	GSPI-CS	(wake) pDATA11 (D7)	GSPI-CS	GPIO_17	GSPI-CS	GSPI-CS	GSPI-CS	(wake) GPIO_17	(wake) GPIO_17
11	SPI-FLASH_CLK	SPI-FLASH_CLK	SPI-FLASH_CLK	SPI-FLASH_CLK	SPI-FLASH_CLK	SPI-FLASH_CLK	SPI-FLASH_CLK	SPI-FLASH_CLK	SPI-FLASH_CLK	SPI-FLASH_CLK	SPI-FLASH_CLK
12	SPI-FLASH-DOUT	SPI-FLASH-DOUT	SPI-FLASH-DOUT	SPI-FLASH-DOUT	SPI-FLASH-DOUT	SPI-FLASH-DOUT	SPI-FLASH-DOUT	SPI-FLASH-DOUT	SPI-FLASH-DOUT	SPI-FLASH-DOUT	SPI-FLASH-DOUT
13	SPI-FLASH-DIN	SPI-FLASH-DIN	SPI-FLASH-DIN	SPI-FLASH-DIN	SPI-FLASH-DIN	SPI-FLASH-DIN	SPI-FLASH-DIN	SPI-FLASH-DIN	SPI-FLASH-DIN	SPI-FLASH-DIN	SPI-FLASH-DIN
14	SPI-FLASH-CS	SPI-FLASH-CS	SPI-FLASH-CS	SPI-FLASH-CS	SPI-FLASH-CS	SPI-FLASH-CS	SPI-FLASH-CS	SPI-FLASH-CS	SPI-FLASH-CS	SPI-FLASH-CS	SPI-FLASH-CS
15	GPIO_22	GPIO_22	GPIO_22	GPIO_22	GPIO_22	GPIO_22	GPIO_22	GPIO_22	GPIO_22	GPIO_22	GPIO_22
16	I2C-SCL	GPIO_23	GPIO_23	I2C-SCL	GPIO_23	GPIO_23	GPIO_23	GPIO_23	GPIO_23	GPIO_23	GPIO_23
17	I2C-SDA	(wake) GPIO_24	(wake) GPIO_24	I2C-SDA	(wake) GPIO_24	(wake) GPIO_24	(wake) GPIO_24	(wake) GPIO_24	(wake) GPIO_24	GT-PWM0	(wake) GPIO_24
19	SWD-TCK	SWD-TCK	SWD-TCK	SWD-TCK	SWD-TCK	SWD-TCK	SWD-TCK	SWD-TCK	SWD-TCK	SWD-TCK	SWD-TCK
20	SWD-TMS	SWD-TMS	SWD-TMS	SWD-TMS	SWD-TMS	SWD-TMS	SWD-TMS	SWD-TMS	SWD-TMS	SWD-TMS	SWD-TMS

Table 3-3. Recommended Pin Multiplexing Configurations (continued)

CC3200 Recommended Pinout Grouping Use – Examples ⁽¹⁾											
18	GPIO_28	GPIO_28	GPIO_28	GPIO_28	GPIO_28	GPIO_28	GPIO_28	GPIO_28	GPIO_28	GPIO_28	GPIO_28
21	GT_PWM2	GT_PWM2	GT_PWM2	GT_PWM2	GT_PWM2	GT_PWM2	GT_PWM2	TCXO_EN	GT_PWM2	GT_PWM2	GPIO_25 out only

3.2 Drive Strength and Reset States for Analog-Digital Multiplexed Pins

Table 3-4 describes the use, drive strength, and default state of these pins at first-time power up and reset (nRESET pulled low).

Table 3-4. Drive Strength and Reset States for Analog-Digital Multiplexed Pins

Pin	Board Level Configuration and Use	Default State at First Power Up or Forced Reset	State after Configuration of Analog Switches (ACTIVE, LPDS, and HIB Power Modes)	Maximum Effective Drive Strength (mA)
29	Connected to the enable pin of the RF switch (ANTSEL1). Other use not recommended.	Analog is isolated. The digital I/O cell is also isolated.	Determined by the I/O state, as are other digital I/Os.	4
30	Connected to the enable pin of the RF switch (ANTSEL2). Other use not recommended.	Analog is isolated. The digital I/O cell is also isolated.	Determined by the I/O state, as are other digital I/Os.	4
45	VDD_ANA2 (pin 47) must be shorted to the input supply rail. Otherwise, the pin is driven by the ANA2 DC-DC.	Analog is isolated. The digital I/O cell is also isolated.	Determined by the I/O state, as are other digital I/Os.	4
50	Generic I/O	Analog is isolated. The digital I/O cell is also isolated.	Determined by the I/O state, as are other digital I/Os.	4
52	The pin must have an external pullup of 100 K to the supply rail and must be used in output signals only.	Analog is isolated. The digital I/O cell is also isolated.	Determined by the I/O state, as are other digital I/Os.	4
53	Generic I/O	Analog is isolated. The digital I/O cell is also isolated.	Determined by the I/O state, as are other digital I/Os.	4
57	Analog signal (1.8 V absolute, 1.46 V full scale)	ADC is isolated. The digital I/O cell is also isolated.	Determined by the I/O state, as are other digital I/Os.	4
58	Analog signal (1.8 V absolute, 1.46 V full scale)	ADC is isolated. The digital I/O cell is also isolated.	Determined by the I/O state, as are other digital I/Os.	4
59	Analog signal (1.8 V absolute, 1.46 V full scale)	ADC is isolated. The digital I/O cell is also isolated.	Determined by the I/O state, as are other digital I/Os.	4
60	Analog signal (1.8 V absolute, 1.46 V full scale)	ADC is isolated. The digital I/O cell is also isolated.	Determined by the I/O state, as are other digital I/Os.	4

3.3 Pad State After Application of Power To Chip But Prior To Reset Release

When a stable power is applied to the CC3200 chip for the first time or when supply voltage is restored to the proper value following a prior period with supply voltage below 1.5 V, the level of the digital pads are undefined in the period starting from the release of nRESET and until DIG_DCDC powers up. This period is less than approximately 10 ms. During this period, pads can be internally pulled weakly in either direction. If a certain set of pins are required to have a definite value during this pre-reset period, an appropriate pullup or pulldown must be used at the board level. The recommended value of this external pull is 2.7 KΩ.

4 Specifications

All measurements are referenced at the device pins, unless otherwise indicated. All specifications are over process and voltage, unless otherwise indicated.

4.1 Absolute Maximum Ratings

over operating free-air temperature range (unless otherwise noted)

PARAMETERS	PINS	MIN	MAX	UNIT
V_{BAT} and V_{IO}	37, 39, 44	-0.5	3.8	V
$V_{IO}-V_{BAT}$ (differential)	10, 54		0.0	V
Digital inputs		-0.5	$V_{IO} + 0.5$	V
RF pins		-0.5	2.1	V
Analog pins (XTAL)		-0.5	2.1	V
Operating temperature range (T_A)		-40	+85	°C

4.2 Handling Ratings

		MIN	MAX	UNIT	
T_{stg}	Storage temperature range	-55	+125	°C	
V_{ESD}	Electrostatic discharge	Human body model (HBM), per ANSI/ESDA/JEDEC JS-001, all pins ⁽¹⁾	-2000	+2000	V
		Charged device model (CDM), per JEDEC specification JESD22-C101, all pins ⁽²⁾	-500	+500	V

(1) JEDEC document JEP155 states that 500-V HBM allows safe manufacturing with a standard ESD control process.

(2) JEDEC document JEP157 states that 250-V CDM allows safe manufacturing with a standard ESD control process.

4.3 Power-On Hours

CONDITIONS	POH
$T_{Ambient}$ up to 85°C, assuming 20% active mode and 80% sleep mode	17,500 ⁽¹⁾

(1) The CC3200 device can be operated reliably for 10 years.

4.4 Recommended Operating Conditions

over operating free-air temperature range (unless otherwise noted) ⁽¹⁾⁽²⁾

PARAMETERS	PINS	CONDITIONS ⁽³⁾ ⁽⁴⁾	MIN	TYP	MAX	UNIT
V_{BAT} , V_{IO} (shorted to V_{BAT})	10, 37, 39, 44, 54	Direct battery connection	2.1	3.3	3.6	V
V_{BAT} , V_{IO} (shorted to V_{BAT})	10, 37, 39, 44, 54	Preregulated 1.85 V	1.76	1.85	1.9	V
Ambient thermal slew			-20		20	°C/minute

(1) Operating temperature is limited by crystal frequency variation.

(2) When operating at an ambient temperature of over 75°C, the transmit duty cycle must remain below 50% to avoid the auto-protect feature of the power amplifier. If the auto-protect feature triggers, the device takes a maximum of 60 seconds to restart the transmission.

(3) To ensure WLAN performance, ripple on the 2.1- to 3.3-V supply must be less than ±300 mV.

(4) To ensure WLAN performance, ripple on the 1.85-V supply must be less than 2% (±40 mV).

4.5 Brown-Out and Black-Out

The device enters a brown-out condition whenever the input voltage dips below V_{BROWN} (see Figure 4-1 and Figure 4-2). This condition must be considered during design of the power supply routing, especially if operating from a battery. High-current operations (such as a TX packet) cause a dip in the supply voltage, potentially triggering a brown-out. The resistance includes the internal resistance of the battery, contact resistance of the battery holder (4 contacts for a 2 x AA battery) and the wiring and PCB routing resistance.

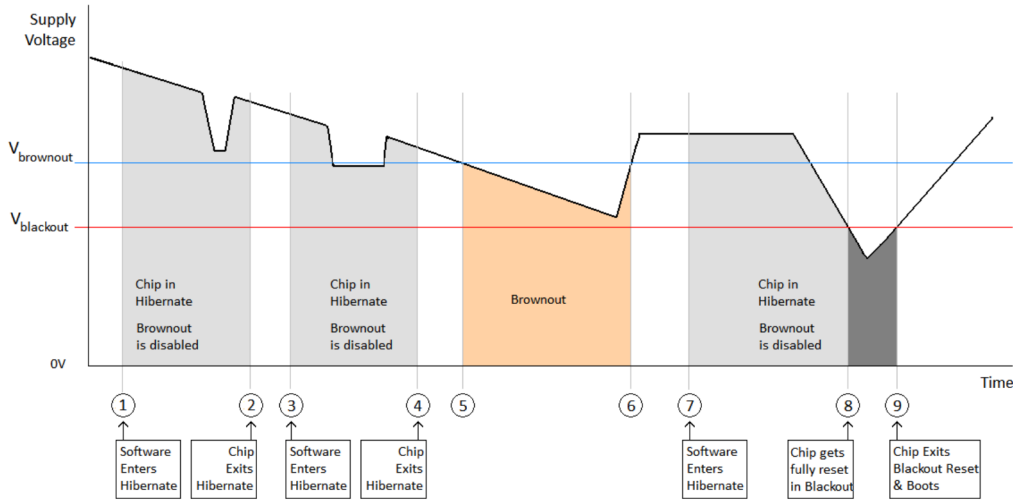


Figure 4-1. Brown-Out and Black-Out Levels (1 of 2)

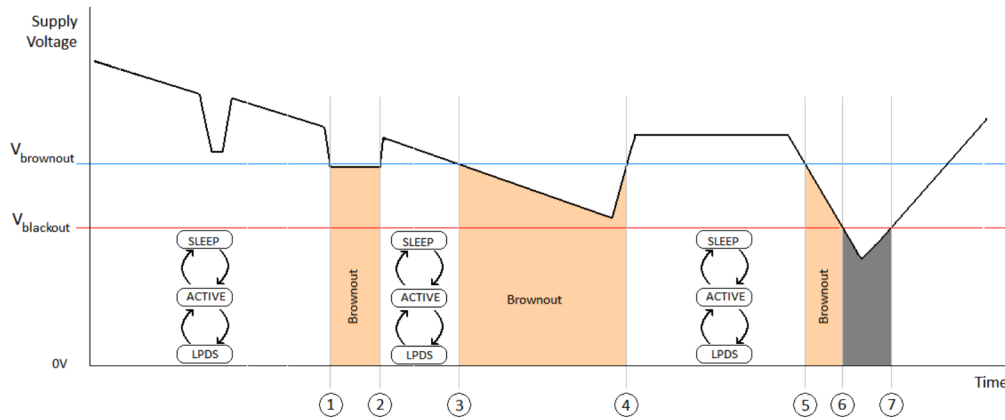


Figure 4-2. Brown-Out and Black-Out Levels (2 of 2)

In the brown-out condition, all sections of the device shut down except for the Hibernate module (including the 32-kHz RTC clock), which remains on. The current in this state can reach approximately 400 μ A.

The black-out condition is equivalent to a hardware reset event in which all states within the device are lost. Table 4-1 lists the brown-out and black-out voltage levels.

Table 4-1. Brown-Out and Black-out Voltage Levels

CONDITION	VOLTAGE LEVEL	UNIT
$V_{brownout}$	2.1	V
$V_{blackout}$	1.67	V

4.6 Electrical Characteristics (3.3 V, 25°C)

GPIO Pins Except 29, 30, 45, 50, 52, and 53 (25°C) ⁽¹⁾						
PARAMETER		TEST CONDITIONS	MIN	NOM	MAX	UNIT
C _{IN}	Pin capacitance			4		pF
V _{IH}	High-level input voltage		0.65 × VDD		VDD + 0.5 V	V
V _{IL}	Low-level input voltage		−0.5		0.35 × VDD	V
I _{IH}	High-level input current			5		nA
I _{IL}	Low-level input current			5		nA
V _{OH}	High-level output voltage (VDD = 3.0 V)		2.4			V
V _{OL}	Low-level output voltage (VDD = 3.0 V)				0.4	V
I _{OH}	High-level source current, V _{OH} = 2.4	2-mA Drive	2			mA
		4-mA Drive	4			mA
		6-mA Drive	6			mA
I _{OL}	Low-level sink current, V _{OL} = 0.4	2-mA Drive	2			mA
		4-mA Drive	4			mA
		6-mA Drive	6			mA

(1) TI recommends using the lowest possible drive strength that is adequate for the applications. This recommendation minimizes the risk of interference to the WLAN radio and mitigates any potential degradation of RF sensitivity and performance. The default drive strength setting is 6 mA.

GPIO Pins 29, 30, 45, 50, 52, and 53 (25°C) ⁽¹⁾						
PARAMETER		TEST CONDITIONS	MIN	NOM	MAX	UNIT
C _{IN}	Pin capacitance			7		pF
V _{IH}	High-level input voltage		0.65 × VDD		VDD + 0.5V	V
V _{IL}	Low-level input voltage		−0.5		0.35 × VDD	V
I _{IH}	High-level input current			50		nA
I _{IL}	Low-level input current			50		nA
V _{OH}	High-level output voltage (VDD= 3.0 V)		2.4			V
V _{OL}	Low-level output voltage (VDD= 3.0 V)				0.4	V
I _{OH}	High-level source current, V _{OH} = 2.4	2-mA Drive	1.5			mA
		4-mA Drive	2.5			mA
		6-mA Drive	3.5			mA
I _{OL}	Low-level sink current, V _{OL} = 0.4	2-mA Drive	1.5			mA
		4-mA Drive	2.5			mA
		6-mA Drive	3.5			mA
V _{IL}	nRESET ⁽²⁾			0.6		V

(1) TI recommends using the lowest possible drive strength that is adequate for the applications. This recommendation minimizes the risk of interference to the WLAN radio and mitigates any potential degradation of RF sensitivity and performance. The default drive strength setting is 6 mA.

(2) The nRESET pin must be held below 0.6 V to ensure the device is reset properly.

Pin Internal Pullup and Pulldown (25°C) ⁽¹⁾					
PARAMETER	TEST CONDITIONS	MIN	NOM	MAX	UNIT
I _{OH}	Pull-Up current, V _{OH} = 2.4 (VDD = 3.0 V)	5		10	μA

(1) TI recommends using the lowest possible drive strength that is adequate for the applications. This recommendation minimizes the risk of interference to WLAN radio and mitigates any potential degradation of RF sensitivity and performance. The default drive-strength setting is 6 mA.

Pin Internal Pullup and Pulldown (25°C) ⁽¹⁾					
PARAMETER	TEST CONDITIONS	MIN	NOM	MAX	UNIT
I_{OL}	Pull-Down current, $V_{OL} = 0.4$ ($V_{DD} = 3.0$ V)	5			μ A

4.7 WLAN Receiver Characteristics

 $T_A = +25^\circ\text{C}$, $V_{\text{BAT}} = 2.1$ to 3.6 V. Parameters measured at SoC pin on channel 7 (2442 MHz)

Parameter	Condition (Mbps)	Min	Typ	Max	Units
Sensitivity (8% PER for 11b rates, 10% PER for 11g/11n rates)(10% PER) ⁽¹⁾	1 DSSS		-95.7		dBm
	2 DSSS		-93.6		
	11 CCK		-88.0		
	6 OFDM		-90.0		
	9 OFDM		-89.0		
	18 OFDM		-86.0		
	36 OFDM		-80.5		
	54 OFDM		-74.0		
	MCS0 (GF) ⁽²⁾		-89.0		
MCS7 (GF) ⁽²⁾		-71.0			
Maximum input level (10% PER)	802.11b		-4.0		
	802.11g		-10.0		

(1) Sensitivity is 1-dB worse on channel 13 (2472 MHz).

(2) Sensitivity for mixed mode is 1-dB worse.

4.8 WLAN Transmitter Characteristics

 $T_A = +25^\circ\text{C}$, $V_{\text{BAT}} = 2.1$ to 3.6 V. Parameters measured at SoC pin on channel 7 (2442 MHz).⁽¹⁾

Parameter	Condition ⁽²⁾	Min	Typ	Max	Units
Maximum RMS output power measured at 1 dB from IEEE spectral mask or EVM	1 DSSS		18.0		dBm
	2 DSSS		18.0		
	11 CCK		18.3		
	6 OFDM		17.3		
	9 OFDM		17.3		
	18 OFDM		17.0		
	36 OFDM		16.0		
	54 OFDM		14.5		
	MCS7 (MM)		13.0		
Transmit center frequency accuracy		-25		25	ppm

(1) Channel-to-channel variation is up to 2 dB. The edge channels (2412 and 2472 MHz) have reduced TX power to meet FCC emission limits.

(2) In preregulated 1.85-V mode, maximum TX power is 0.25 to 0.75 dB lower for modulations higher than 18 OFDM.

4.9 Current Consumption

 $T_A = +25^\circ\text{C}$, $V_{\text{BAT}} = 3.6$ V

PARAMETER		TEST CONDITIONS ^{(1) (2)}		MIN	TYP	MAX	UNIT
MCU ACTIVE	NWP ACTIVE	TX	1 DSSS	TX power level = 0	278		mA
				TX power level = 4	194		
			6 OFDM	TX power level = 0	254		
		TX power level = 4		185			
		54 OFDM	TX power level = 0	229			
			TX power level = 4	166			
	RX	1 DSSS		59			
54 OFDM			59				
	NWP idle connected ⁽³⁾			15.3			

(1) TX power level = 0 implies maximum power (see Figure 4-3 through Figure 4-5). TX power level = 4 implies output power backed off approximately 4 dB.

(2) The CC3200 system is a constant power-source system. The active current numbers scale based on the V_{BAT} voltage supplied.

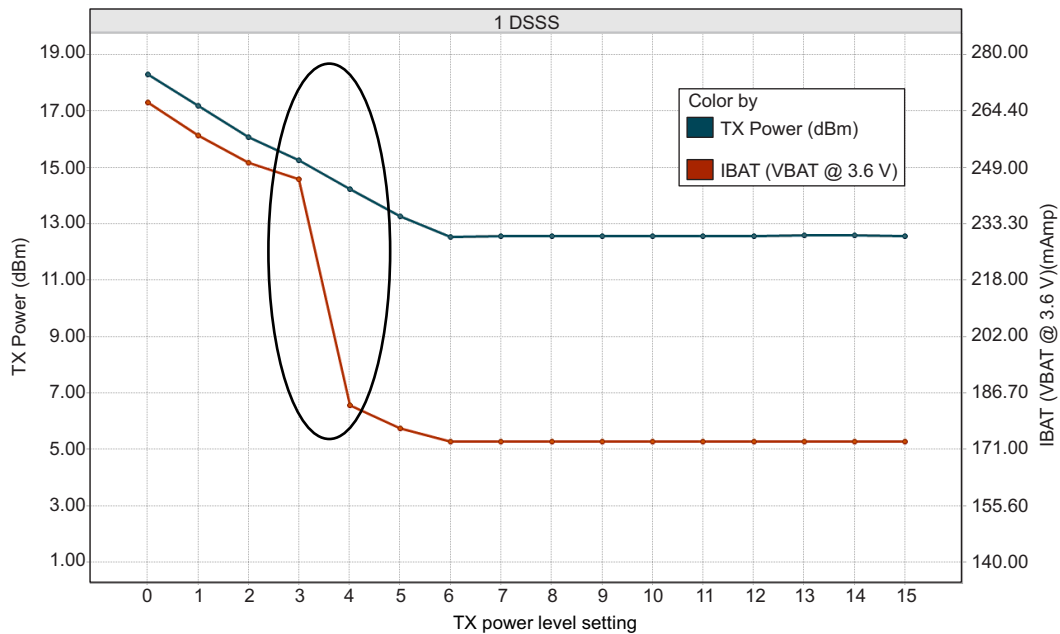
(3) DTIM = 1

Current Consumption (continued)

 $T_A = +25^\circ\text{C}$, $V_{BAT} = 3.6\text{ V}$

PARAMETER		TEST CONDITIONS ⁽¹⁾ ⁽²⁾		MIN	TYP	MAX	UNIT
MCU SLEEP	NWP ACTIVE	TX	1 DSSS	TX power level = 0	275		mA
				TX power level = 4	191		
			6 OFDM	TX power level = 0	251		
				TX power level = 4	182		
			54 OFDM	TX power level = 0	226		
				TX power level = 4	163		
		RX	1 DSSS	56			
54 OFDM	56						
NWP idle connected ⁽³⁾				12.2			
MCU LPDS	NWP active	TX	1 DSSS	TX power level = 0	272		mA
				TX power level = 4	188		
			6 OFDM	TX power level = 0	248		
				TX power level = 4	179		
			54 OFDM	TX power level = 0	223		
				TX power level = 4	160		
		RX	1 DSSS	53			
			54 OFDM	53			
NWP LPDS ⁽⁴⁾				0.25			
NWP idle connected ⁽³⁾				0.825			
MCU hibernate ⁽⁵⁾	NWP hibernate ⁽⁶⁾			4		μA	
Peak calibration current ⁽⁷⁾	$V_{BAT} = 3.3\text{ V}$			450		mA	
	$V_{BAT} = 2.1\text{ V}$			670			
	$V_{BAT} = 1.85\text{ V}$			700			

- (4) LPDS current does not include the external serial flash. The LPDS number reported is with retention of 64KB MCU SRAM. The CC3200 device can be configured to retain 0KB, 64KB, 128KB, 192KB or 256KB SRAM in LPDS. Each 64KB retained increases LPDS current by 4 μA .
- (5) For the 1.85-V mode, the Hibernate current is higher by 50 μA across all operating modes because of leakage into the PA and analog power inputs.
- (6) Serial flash current consumption in power-down mode during hibernate is not included.
- (7) The complete calibration can take up to 17 mJ of energy from the battery over a time of 24 ms. Calibration is performed sparingly, typically when coming out of Hibernate and only if temperature has changed by more than 20°C or the time elapsed from prior calibration is greater than 24 hours.



Note: The area enclosed in the circle represents a significant reduction in current when transitioning from TX power level 3 to 4. In the case of lower range requirements (14 dbm output power), TI recommends using TX power level 4 to reduce the current.

Figure 4-3. TX Power and IBAT vs TX Power Level Settings (1 DSSS)

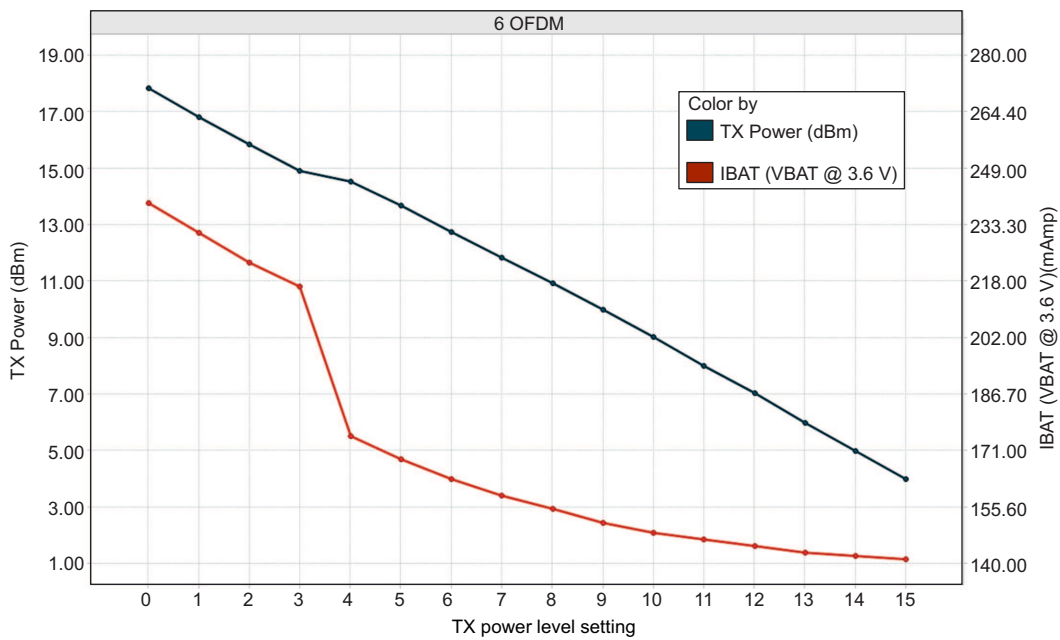


Figure 4-4. TX Power and IBAT vs TX Power Level Settings (6 OFDM)

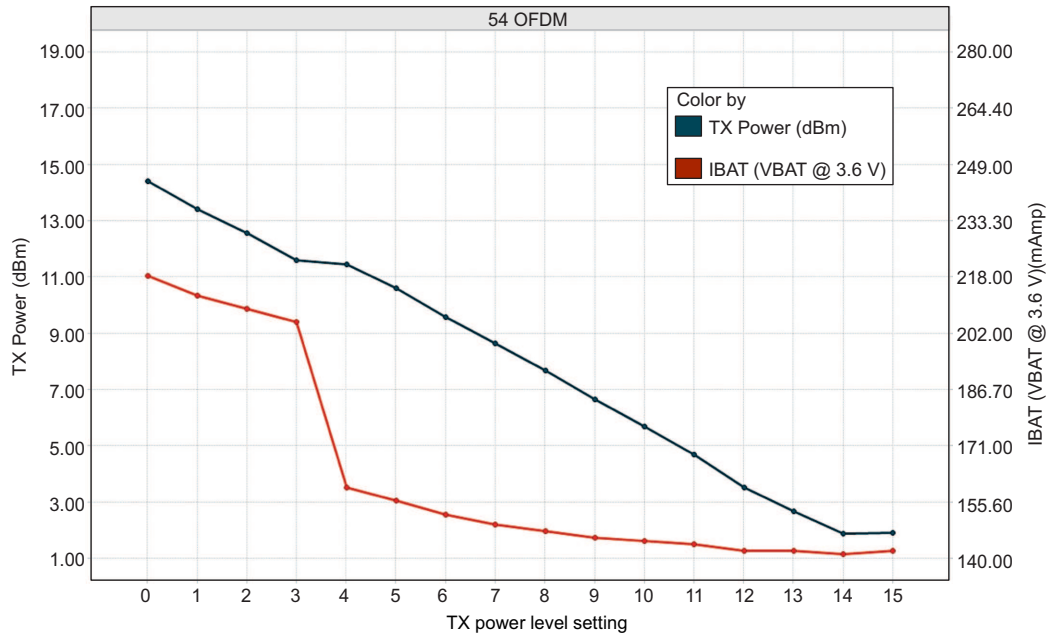


Figure 4-5. TX Power and IBAT vs TX Power Level Settings (54 OFDM)

4.10 Thermal Characteristics for RGC Package

PARAMETER	AIR FLOW			
	0 lfm (C/W)	150 lfm (C/W)	250 lfm (C/W)	500 lfm (C/W)
θ_{ja}	23	14.6	12.4	10.8
Ψ_{jt}	0.2	0.2	0.3	0.1
Ψ_{jb}	2.3	2.3	2.2	2.4
θ_{jc}	6.3			
θ_{jb}	2.4			

4.11 Timing and Switching Characteristics

4.11.1 Power Supply Sequencing

For proper operation of the CC3200 device, perform the recommended power-up sequencing as follows:

1. Tie V_{BAT} (pins 37, 39, 44) and V_{IO} (pins 54 and 10) together on the board.
2. Hold the RESET pin low while the supplies are ramping up. TI recommends using a simple RC circuit (100K || 0.1 μ F, RC = 10 ms).
3. For an external RTC clock, ensure that the clock is stable before RESET is deasserted (high).

For timing diagrams, see [Section 4.11.2](#), *Reset Timing*.

4.11.2 Reset Timing

4.11.2.1 nRESET (32K XTAL)

Figure 4-6 shows the reset timing diagram for the 32K XTAL first-time power-up and reset removal.

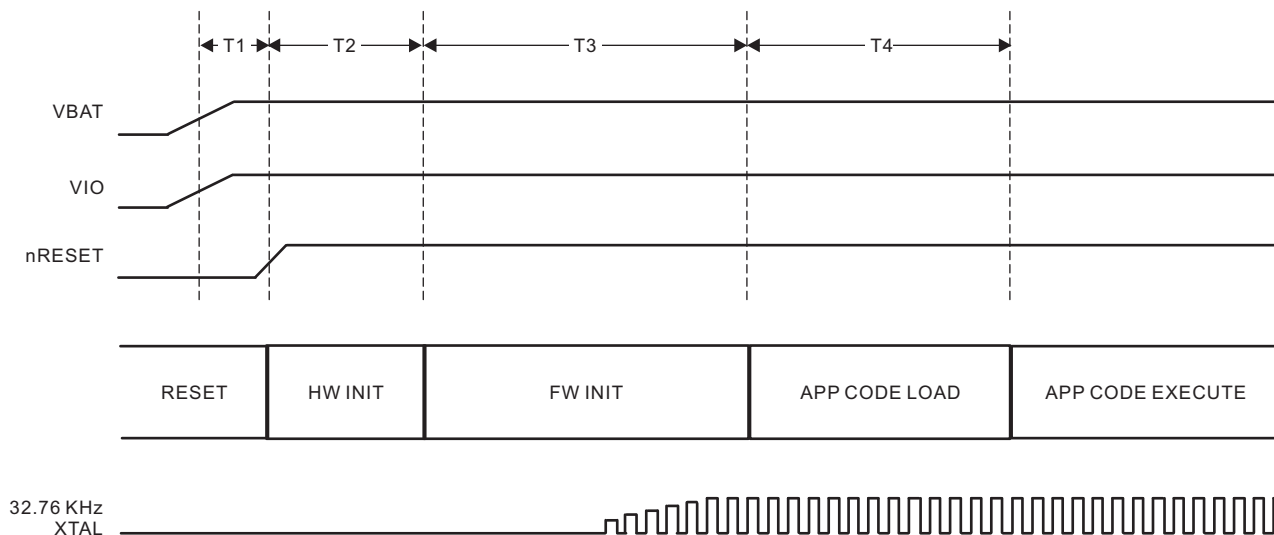


Figure 4-6. First-Time Power-Up and Reset Removal Timing Diagram (32K XTAL)

Table 4-2 describes the timing requirements for the 32K XTAL first-time power-up and reset removal.

Table 4-2. First-Time Power-Up and Reset Removal Timing Requirements (32K XTAL)

Item	Name	Description	Min	Typ	Max
T1	Supply settling time	Depends on application board power supply, decap, and so on		3 ms	
T2	Hardware wakeup time			25 ms	
T3	Time taken by ROM firmware to initialize hardware	Includes 32.768 -kHz XOSC settling time		1.1 s	
T4	App code load time	Image size (KByte) x 0.75 ms			

4.11.2.2 nRESET (External 32K)

Figure 4-7 shows the reset timing diagram for the external 32K first-time power-up and reset removal.

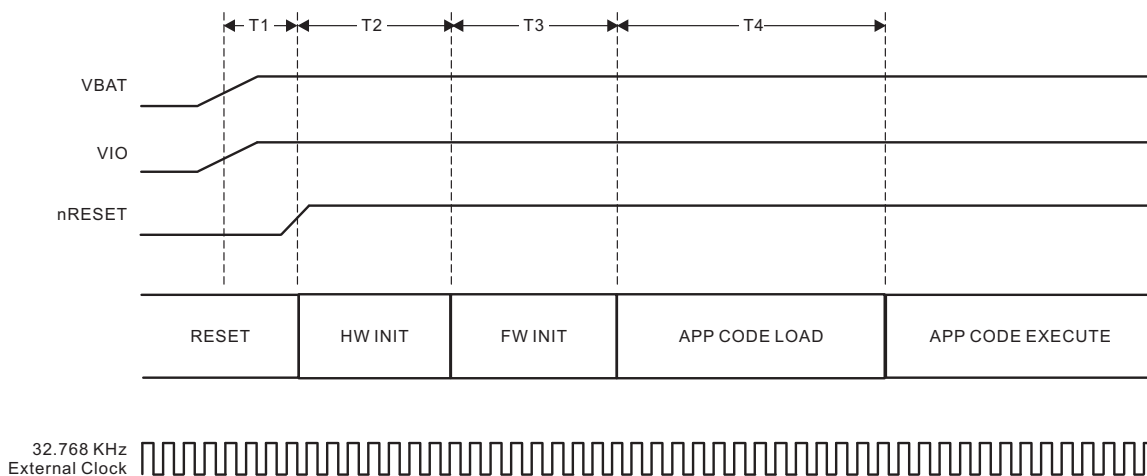


Figure 4-7. First-Time Power-Up and Reset Removal Timing Diagram (External 32K)

Table 4-3 describes the timing requirements for the external 32K first-time power-up and reset removal.

Table 4-3. First-Time Power-Up and Reset Removal Timing Requirements (External 32K)

Item	Name	Description	Min	Typ	Max
T1	Supply settling time	Depends on application board power supply, decap, and so on		3 ms	
T2	Hardware wakeup time			25 ms	
T3	Time taken by ROM firmware to initialize hardware	Time taken by ROM firmware		3 ms	
T4	App code load time	Image size (KByte) x 0.75 ms			

4.11.2.3 Wakeup from Hibernate

Figure 4-8 shows the timing diagram for wakeup from the hibernate state.

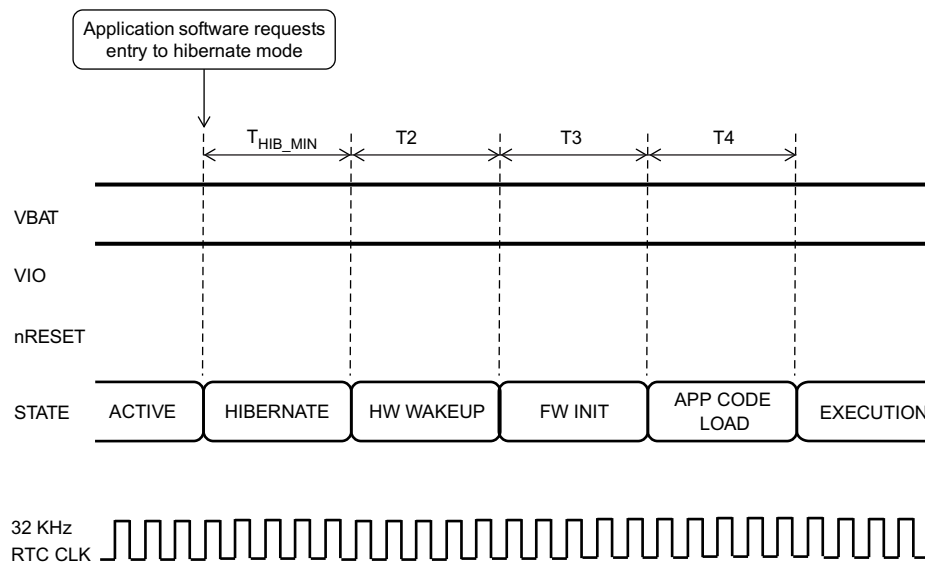


Figure 4-8. Wakeup From Hibernate Timing Diagram

NOTE

The 32.768-kHz XTAL is kept enabled by default when the chip goes to hibernate.

Table 4-4 describes the software hibernate timing requirements.

Table 4-4. Software Hibernate Timing Requirements

Item	Name	Description	Min	Typ	Max
T _{hib_min}	Minimum hibernate time	The time for which the device has to be held in hibernate mode		10 ms	
T ₂	Hardware wakeup time	Time taken by the hardware to initialize		25 ms	
T ₃	Firmware initialization time	Time taken by the ROM firmware to initialize the hardware		3 ms	
T ₄	Code download time	Time taken to download the code from the serial flash to on-chip RAM		Image size (KByte) x 0.75 ms	

4.11.3 Clock Specifications

The CC3200 device requires two separate clocks for its operation:

- A slow clock running at 32.768 kHz is used for the RTC.
- A fast clock running at 40 MHz is used by the device for the internal processor and the WLAN subsystem.

The device features internal oscillators that enable the use of cheaper crystals rather than dedicated TCXOs for these clocks. The RTC can also be fed externally to provide reuse of an existing clock on the system and reduce overall cost.

4.11.3.1 Slow Clock Using Internal Oscillator

The RTC crystal connected on the device supplies the free-running slow clock. The accuracy of the slow clock frequency must be 32.768 kHz \pm 150 ppm. In this mode of operation, the crystal is tied between RTC_XTAL_P (pin 51) and RTC_XTAL_N (pin 52) with a suitable load capacitance.

Figure 4-9 shows the crystal connections for the slow clock.

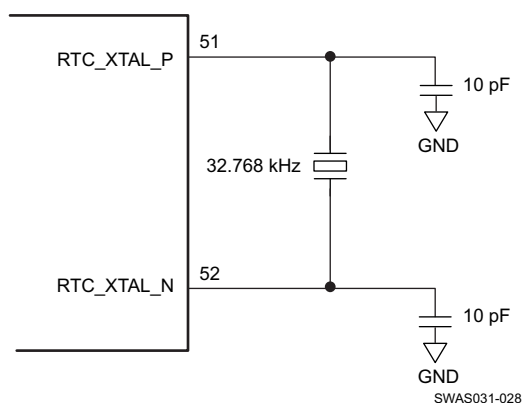


Figure 4-9. RTC Crystal Connections

4.11.3.2 Slow Clock Using an External Clock

When an RTC clock oscillator is present in the system, the CC3200 device can accept this clock directly as an input. The clock is fed on the RTC_XTAL_P line and the RTC_XTAL_N line is held to VIO. The clock must be a CMOS-level clock compatible with VIO fed to the device.

Figure 4-10 shows the external RTC clock input connection.

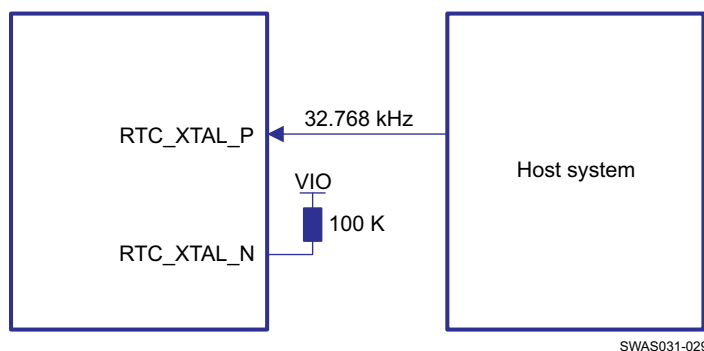


Figure 4-10. External RTC Clock Input

4.11.3.3 Fast Clock (F_{ref}) Using an External Crystal

The CC3200 device also incorporates an internal crystal oscillator to support a crystal-based fast clock. The XTAL is fed directly between WLAN_XTAL_P (pin 23) and WLAN_XTAL_N (pin 22) with suitable loading capacitors.

Figure 4-11 shows the crystal connections for the fast clock.

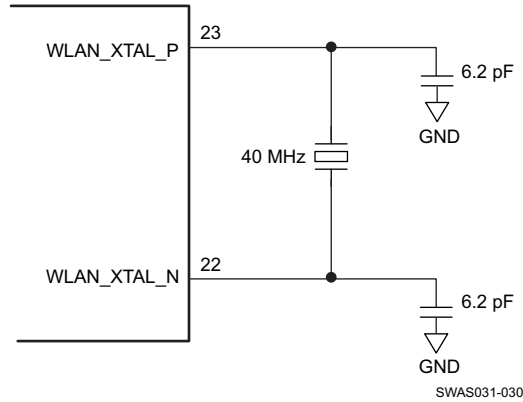


Figure 4-11. Fast Clock Crystal Connections

4.11.3.4 Fast Clock (F_{ref}) Using an External Oscillator

The CC3200 device can accept an external TCXO/XO for the 40-MHz clock. In this mode of operation, the clock is connected to WLAN_XTAL_P (pin 23). WLAN_XTAL_N (pin 22) is connected to GND. The external TCXO/XO can be enabled by TCXO_EN (pin 21) from the device to optimize the power consumption of the system.

If the TCXO does not have an enable input, an external LDO with an enable function can be used. Using the LDO improves noise on the TCXO power supply.

Figure 4-12 shows the connection.

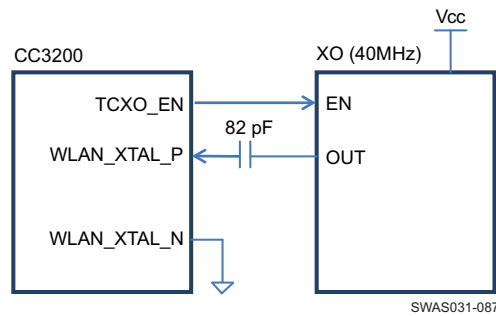


Figure 4-12. External TCXO Input

Table 4-5 lists the external F_{ref} clock requirements.

Table 4-5. External F_{ref} Clock Requirements (–40°C to +85°C)

Characteristics	Condition	Sym	Min	Typ	Max	Unit
Frequency				40.00		MHz
Frequency accuracy (Initial + temp + aging)					±25	ppm
Frequency input duty cycle			45	50	55	%
Clock voltage limits	Sine or clipped sine wave, AC coupled	Vpp	0.7		1.2	Vpp

Table 4-5. External F_{ref} Clock Requirements (–40°C to +85°C) (continued)

Characteristics		Condition	Sym	Min	Typ	Max	Unit
Phase noise @ 40 MHz		@ 1 kHz				–125	dBc/Hz
		@ 10 kHz				–138.5	dBc/Hz
		@ 100 kHz				–143	dBc/Hz
Input impedance	Resistance			12			K Ω
	Capacitance					7	pF

4.11.3.5 Input Clocks/Oscillators

Table 4-6 lists the RTC crystal requirements.

Table 4-6. RTC Crystal Requirements

CHARACTERISTICS	CONDITION	SYM	MIN	TYP	MAX	UNIT
Frequency				32.768		kHz
Frequency accuracy	Initial + temp + aging				± 150	ppm
Crystal ESR	32.768 kHz, C1 = C2 = 10 pF				70	k Ω

Table 4-7 lists the external RTC digital clock requirements.

Table 4-7. External RTC Digital Clock Requirements

CHARACTERISTICS	CONDITION	SYM	MIN	TYP	MAX	UNIT
Frequency				32768		Hz
Frequency accuracy (Initial + temp + aging)					± 150	ppm
Input transition time t_r/t_f (10% to 90%)		t_r/t_f			100	ns
Frequency input duty cycle			20	50	80	%
Slow clock input voltage limits	Square wave, DC coupled	V_{ih}	$0.65 \times V_{IO}$		V_{IO}	V
		V_{il}	0		$0.35 \times V_{IO}$	V peak
Input impedance			1			M Ω
					5	pF

Table 4-8 lists the WLAN fast-clock crystal requirements.

Table 4-8. WLAN Fast-Clock Crystal Requirements

CHARACTERISTICS	CONDITION	SYM	MIN	TYP	MAX	UNIT
Frequency				40		MHz
Frequency accuracy	Initial + temp + aging				± 25	ppm
Crystal ESR	40 MHz, C1 = C2 = 6.2 pF		40	50	60	Ohm

4.11.3.6 WLAN Filter Requirements

The device requires an external bandpass filter to meet the various emission standards, including FCC. Table 4-9 presents the attenuation requirements for the bandpass filter. TI recommends using the same filter used in the reference design to ease the process of certification.

Table 4-9. WLAN Filter Requirements

Parameter	Frequency (MHz)	Requirements			
		Min	Typ	Max	Units
Return loss	2412 to 2484	10			dB

Table 4-9. WLAN Filter Requirements (continued)

Parameter	Frequency (MHz)	Requirements			
		Min	Typ	Max	Units
Insertion loss ⁽¹⁾	2412 to 2484		1	1.5	dB
Attenuation	800 to 830	30	45		dB
	1600 to 1670	20	25		
	3200 to 3300	30	48		
	4000 to 4150	45	50		
	4800 to 5000	20	25		
	5600 to 5800	20	25		
	6400 to 6600	20	35		
	7200 to 7500	35	45		
	7500 to 10000	20	25		
Reference Impedance	2412 to 2484		50		Ω
Filter type	Bandpass				

(1) Insertion loss directly impacts output power and sensitivity. At customer discretion, insertion loss can be relaxed to meet attenuation requirements.

4.11.4 Peripherals

This section describes the peripherals that are supported by the CC3200 device:

- SPI
- McASP
- GPIO
- I²C
- IEEE 1149.1 JTAG
- ADC
- Camera parallel port
- UART

4.11.4.1 SPI

4.11.4.1.1 SPI Master

The CC3200 microcontroller includes one SPI module, which can be configured as a master or slave device. The SPI includes a serial clock with programmable frequency, polarity, and phase, a programmable timing control between chip select and external clock generation, and a programmable delay before the first SPI word is transmitted. Slave mode does not include a dead cycle between two successive words.

Figure 4-13 shows the timing diagram for the SPI master.

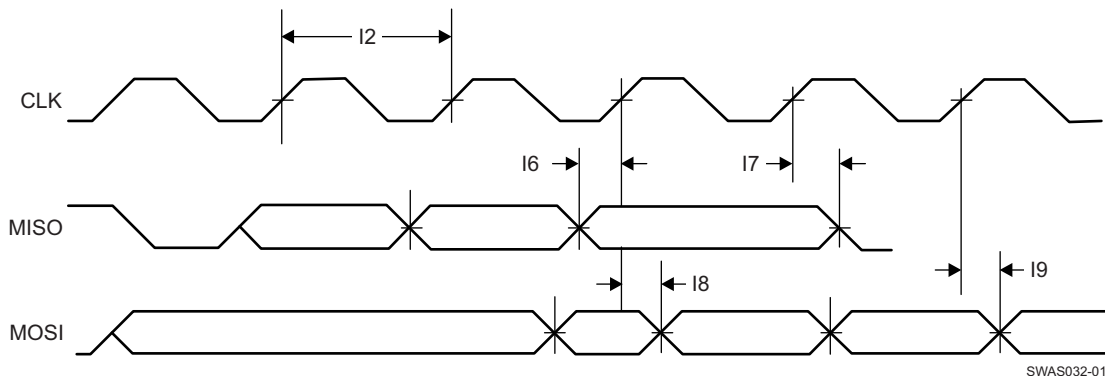


Figure 4-13. SPI Master Timing Diagram

Table 4-10 lists the timing parameters for the SPI master.

Table 4-10. SPI Master Timing Parameters

Parameter Number	Parameter ⁽¹⁾	Parameter Name	Min	Max	Unit
I1	F	Clock frequency		20	MHz
I2	T_{clk}	Clock period	50		ns
I5	D	Duty cycle	45	55	%
I6	t_{IS}	RX data setup time	1		ns
I7	t_{IH}	RX data hold time	2		ns
I8	t_{OD}	TX data output delay		8.5	ns
I9	t_{OH}	TX data hold time		8	ns

(1) Timing parameter assumes a maximum load of 20 pF.

4.11.4.1.2 SPI Slave

Figure 4-14 shows the timing diagram for the SPI slave.

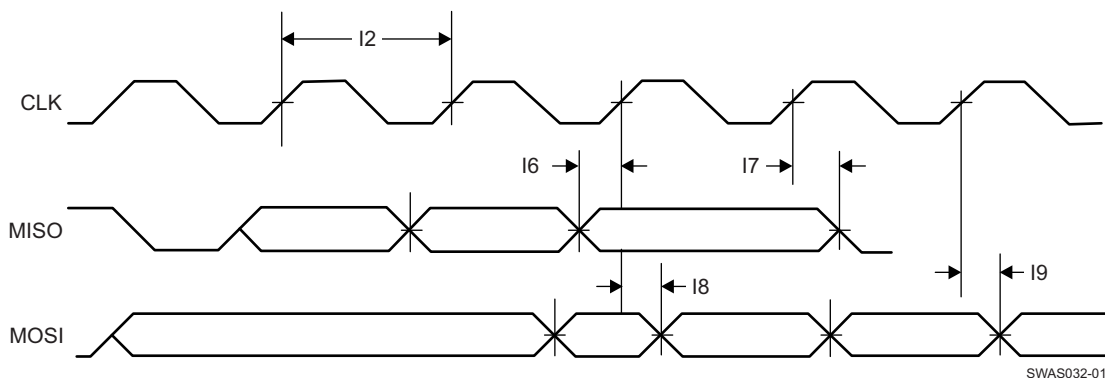


Figure 4-14. SPI Slave Timing Diagram

Table 4-11 lists the timing parameters for the SPI slave.

Table 4-11. SPI Slave Timing Parameters

Parameter Number	Parameter ⁽¹⁾	Parameter Name	Min	Max	Unit
I1	F	Clock frequency @ VBAT = 3.3 V		20	MHz
		Clock frequency @ VBAT ≤ 2.1 V		12	

(1) Timing parameter assumes a maximum load of 20 pF at 3.3 V.

Table 4-11. SPI Slave Timing Parameters (continued)

Parameter Number	Parameter ⁽¹⁾	Parameter Name	Min	Max	Unit
I2	Tclk	Clock period	50		ns
I5	D	Duty cycle	45	55	%
I6	tIS	RX data setup time	4		ns
I7	tIH	RX data hold time	4		ns
I8	tOD	TX data output delay		20	
I9	tOH	TX data hold time		24	ns

4.11.4.2 McASP

The McASP interface functions as a general-purpose audio serial port optimized for multichannel audio applications and supports transfer of two stereo channels over two data pins. The McASP consists of transmit and receive sections that operate synchronously and have programmable clock and frame-sync polarity. A fractional divider is available for bit-clock generation.

4.11.4.2.1 I2S Transmit Mode

Figure 4-15 shows the timing diagram for the I2S transmit mode.

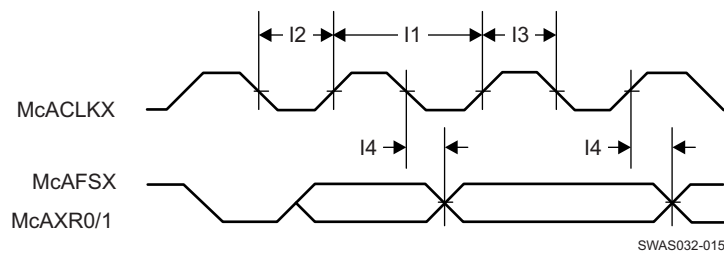
**Figure 4-15. I2S Transmit Mode Timing Diagram**

Table 4-12 lists the timing parameters for the I2S transmit mode.

Table 4-12. I2S Transmit Mode Timing Parameters

Parameter Number	Parameter ⁽¹⁾	Parameter Name	Min	Max	Unit
I1	fclk	Clock frequency		9.216	MHz
I2	tLP	Clock low period		1/2 fclk	ns
I3	tHT	Clock high period		1/2 fclk	ns
I4	tOH	TX data hold time		22	ns

(1) Timing parameter assumes a maximum load of 20 pF.

4.11.4.2.2 I2S Receive Mode

Figure 4-16 shows the timing diagram for the I2S receive mode.

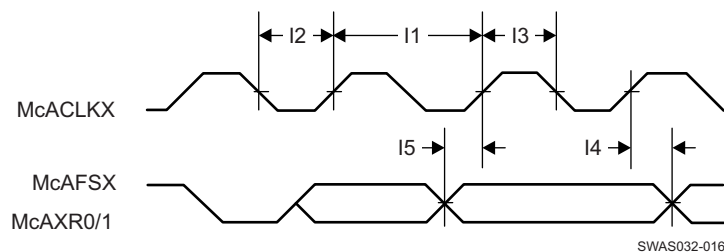
**Figure 4-16. I2S Receive Mode Timing Diagram**

Table 4-13 lists the timing parameters for the I2S receive mode.

Table 4-13. I2S Receive Mode Timing Parameters

Parameter Number	Parameter ⁽¹⁾	Parameter Name	Min	Max	Unit
I1	fclk	Clock frequency		9.216	MHz
I2	tLP	Clock low period		1/2 fclk	ns
I3	tHT	Clock high period		1/2 fclk	ns
I4	tOH	RX data hold time		0	ns
I5	tOS	RX data setup time		15	ns

(1) Timing parameter assumes a maximum load of 20 pF.

4.11.4.3 GPIO

All digital pins of the device can be used as general-purpose input/output (GPIO) pins. The GPIO module consists of four GPIO blocks, each of which provides eight GPIOs. The GPIO module supports 24 programmable GPIO pins, depending on the peripheral used. Each GPIO has configurable pullup and pulldown strength (weak 10 μ A), configurable drive strength (2, 4, and 6 mA), and open-drain enable.

Figure 4-17 shows the GPIO timing diagram.

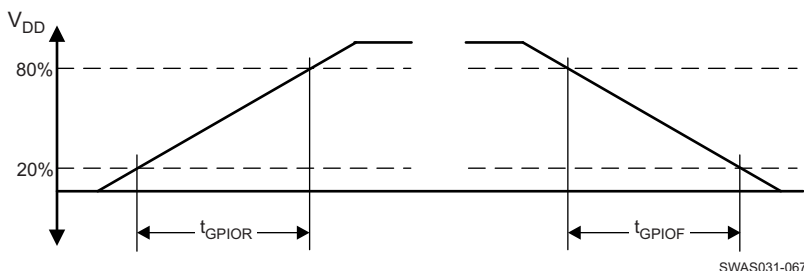


Figure 4-17. GPIO Timing

4.11.4.3.1 GPIO Output Transition Time Parameters ($V_{supply} = 3.3 V$)

Table 4-14 lists the GPIO output transition times for $V_{supply} = 3.3 V$.

Table 4-14. GPIO Output Transition Times ($V_{supply} = 3.3 V$)⁽¹⁾⁽²⁾

Drive Strength (mA)	Drive Strength Control Bits	T_r (ns)			T_f (ns)		
		Min	Nom	Max	Min	Nom	Max
2	2MA_EN=1 4MA_EN=0 8MA_EN=0	8.0	9.3	10.7	8.2	9.5	11.0
4	2MA_EN=0 4MA_EN=1 8MA_EN=0	6.6	7.1	7.6	4.7	5.2	5.8
8	2MA_EN=0 4MA_EN=0 8MA_EN=1	3.2	3.5	3.7	2.3	2.6	2.9
14	2MA_EN=1 4MA_EN=1 8MA_EN=1	1.7	1.9	2.0	1.3	1.5	1.6

(1) $V_{supply} = 3.3 V$, $T = 25^\circ C$, total pin load = 30 pF

(2) The transition data applies to the pins other than the multiplexed analog-digital pins 29, 30, 45, 50, 52, and 53.

4.11.4.3.2 GPIO Output Transition Time Parameters (Vsupply = 1.8 V)

Table 4-15 lists the GPIO output transition times for Vsupply = 1.8 V.

Table 4-15. GPIO Output Transition Times (Vsupply = 1.8 V)⁽¹⁾⁽²⁾

Drive Strength (mA)	Drive Strength Control Bits	Tr (ns)			Tr (ns)		
		Min	Nom	Max	Min	Nom	Max
2	2MA_EN=1 4MA_EN=0 8MA_EN=0	11.7	13.9	16.3	11.5	13.9	16.7
4	2MA_EN=0 4MA_EN=1 8MA_EN=0	13.7	15.6	18.0	9.9	11.6	13.6
8	2MA_EN=0 4MA_EN=0 8MA_EN=1	5.5	6.4	7.4	3.8	4.7	5.8
14	2MA_EN=1 4MA_EN=1 8MA_EN=1	2.9	3.4	4.0	2.2	2.7	3.3

(1) Vsupply = 1.8 V, T = 25°C, total pin load = 30 pF

(2) The transition data applies to the pins other than the multiplexed analog-digital pins 29, 30, 45, 50, 52, and 53.

4.11.4.3.3 GPIO Input Transition Time Parameters

Table 4-16 lists the input transition time parameters.

Table 4-16. GPIO Input Transition Time Parameters

Parameter	Condition	Symbol	Min	Max	Unit
Input transition time (tr,tf), 10% to 90%		tr	1	3	ns
		tf	1	3	

4.11.4.4 I²C

The CC3200 microcontroller includes one I²C module operating with standard (100 Kbps) or fast (400 Kbps) transmission speeds.

Figure 4-18 shows the I²C timing diagram.

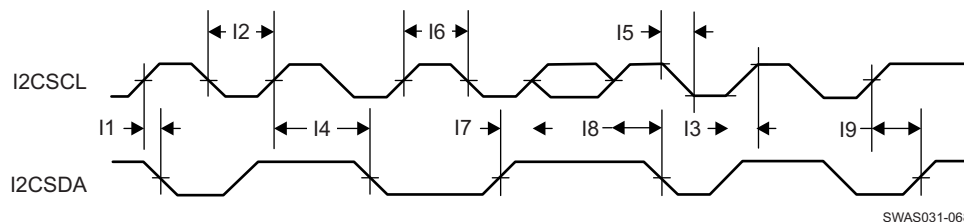


Figure 4-18. I²C Timing

Table 4-17 lists the I²C timing parameters.

Table 4-17. I²C Timing Parameters⁽¹⁾

Parameter Number	Parameter	Parameter Name	Min	Max	Unit
I2	t _{LP}	Clock low period	See ⁽²⁾ .	-	System clock
I3	t _{SRT}	SCL/SDA rise time	-	See ⁽³⁾ .	ns
I4	t _{DH}	Data hold time	NA	-	
I5	t _{SFT}	SCL/SDA fall time	-	3	ns
I6	t _{HT}	Clock high time	See ⁽²⁾ .	-	System clock
I7	t _{DS}	Data setup time	t _{LP} /2		System clock
I8	t _{SCSR}	Start condition setup time	36	-	System clock
I9	t _{SCS}	Stop condition setup time	24	-	System clock

- (1) All timing is with 6-mA drive and 20-pF load.
- (2) This value depends on the value programmed in the clock period register of I²C. Maximum output frequency is the result of the minimal value programmed in this register.
- (3) Because I²C is an open-drain interface, the controller can drive logic 0 only. Logic 1 is the result of external pullup. Rise time depends on the external signal capacitance and external pullup register value.

4.11.4.5 IEEE 1149.1 JTAG

The Joint Test Action Group (JTAG) port is an IEEE standard that defines a test access port (TAP) and boundary scan architecture for digital integrated circuits and provides a standardized serial interface to control the associated test logic. For detailed information on the operation of the JTAG port and TAP controller, see the IEEE Standard 1149.1, *Test Access Port and Boundary- Scan Architecture*.

Figure 4-19 shows the JTAG timing diagram.

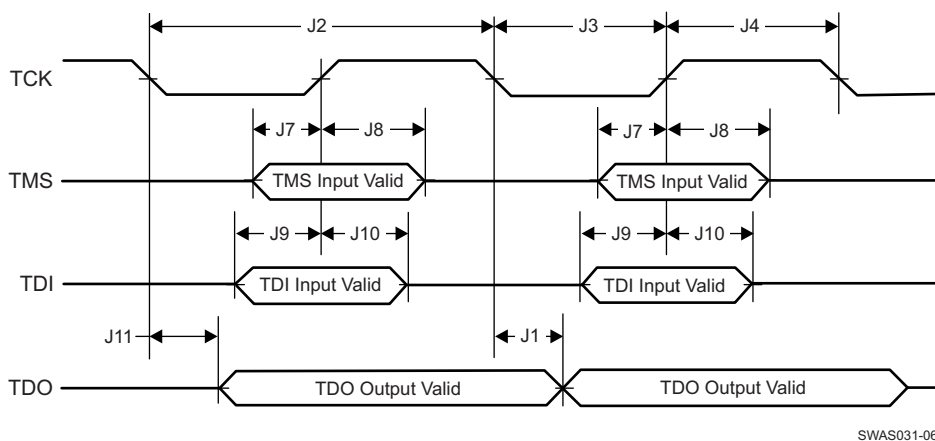


Figure 4-19. JTAG Timing

Table 4-18 lists the JTAG timing parameters.

Table 4-18. JTAG Timing Parameters

Parameter Number	Parameter	Parameter Name	Min	Max	Unit
J1	f _{TCK}	Clock frequency		15	MHz
J2	t _{TCK}	Clock period		1/f _{TCK}	ns
J3	t _{CL}	Clock low period		t _{TCK} /2	ns
J4	t _{CH}	Clock high period		t _{TCK} /2	ns
J7	t _{TMS_SU}	TMS setup time	1		
J8	t _{TMS_HO}	TMS hold time	16		
J9	t _{TDI_SU}	TDI setup time	1		
J10	t _{TDI_HO}	TDI hold time	16		

Table 4-18. JTAG Timing Parameters (continued)

Parameter Number	Parameter	Parameter Name	Min	Max	Unit
J11	tTDO_HO	TDO hold time		15	

4.11.4.6 ADC

Table 4-19 lists the ADC electrical specifications.

Table 4-19. ADC Electrical Specifications

Parameter	Description	Condition and Assumptions	Min	Typ	Max	Unit
Nbits	Number of bits			12		Bits
INL	Integral nonlinearity	Worst-case deviation from histogram method over full scale (not including first and last three LSB levels)	-2.5		2.5	LSB
DNL	Differential nonlinearity	Worst-case deviation of any step from ideal	-1		4	LSB
Input range			0		1.4	V
Driving source impedance					100	Ω
FCLK	Clock rate	Successive approximation input clock rate		10		MHz
Input capacitance				3.2		pF
Number of channels				4		
F _{sample}	Sampling rate of each ADC			62.5		KSPS
F _{input_max}	Maximum input signal frequency				31	kHz
SINAD	Signal-to-noise and distortion	Input frequency dc to 300 Hz and 1.4 V _{pp} sine wave input	55	60		dB
I _{active}	Active supply current	Average for analog-to-digital during conversion without reference current		1.5		mA
I _{PD}	Power-down supply current for core supply	Total for analog-to-digital when not active (this must be the SoC level test)		1		μ A
Absolute offset error		FCLK = 10 MHz		± 2		mV
Gain error				± 2		%

Figure 4-20 shows the ADC clock timing diagram.

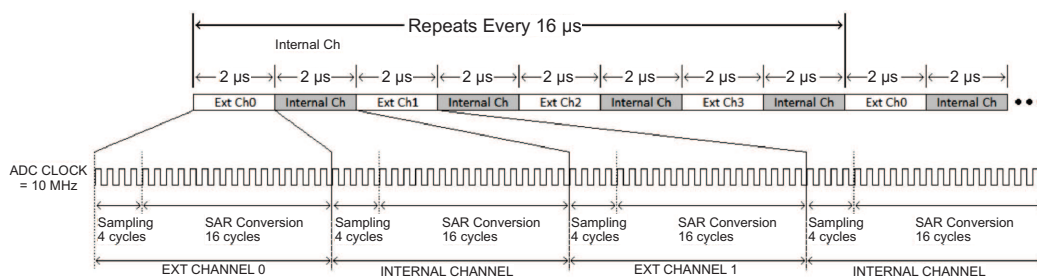


Figure 4-20. ADC Clock Timing

4.11.4.7 Camera Parallel Port

The fast camera parallel port interfaces with a variety of external image sensors, stores the image data in a FIFO, and generates DMA requests. The camera parallel port supports 8 bits.

Figure 4-21 shows the timing diagram for the camera parallel port.

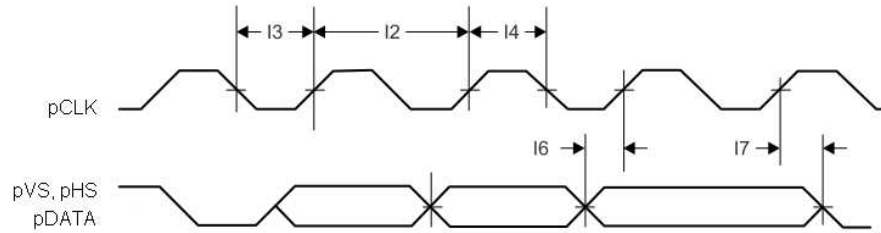


Figure 4-21. Camera Parallel Port Timing Diagram

Table 4-20 lists the timing parameters for the camera parallel port.

Table 4-20. Camera Parallel Port Timing Parameters

Parameter Number	Parameter	Parameter Name	Min	Max	Unit
	pCLK	Clock frequency		2	MHz
I2	T_{clk}	Clock period		$1/pCLK$	ns
I3	t_{LP}	Clock low period		$T_{clk}/2$	ns
I4	t_{HT}	Clock high period		$T_{clk}/2$	ns
I7	D	Duty cycle		45 to 55	%
I8	t_{IS}	RX data setup time		2	ns
I9	t_{IH}	RX data hold time		2	ns

4.11.4.8 UART

The CC3200 device includes two UARTs with the following features:

- Programmable baud-rate generator allowing speeds up to 3 Mbps
- Separate 16 x 8 TX and RX FIFOs to reduce CPU interrupt service loading
- Programmable FIFO length, including 1-byte deep operation providing conventional double-buffered interface
- FIFO trigger levels of 1/8, 1/4, 1/2, 3/4, and 7/8
- Standard asynchronous communication bits for start, stop, and parity
- Line-break generation and detection
- Fully programmable serial interface characteristics
 - 5, 6, 7, or 8 data bits
 - Even, odd, stick, or no-parity bit generation and detection
 - 1 or 2 stop-bit generation
- RTS and CTS hardware flow support
- Standard FIFO-level and End-of-Transmission interrupts
- Efficient transfers using μ DMA
 - Separate channels for transmit and receive
 - Receive single request asserted when data is in the FIFO; burst request asserted at programmed FIFO level
 - Transmit single request asserted when there is space in the FIFO; burst request asserted at programmed FIFO level
- System clock is used to generate the baud clock.

5 Detailed Description

5.1 Overview

The CC3200 device has a rich set of peripherals for diverse application requirements. The device optimizes bus matrix and memory management to give the application developer the needed advantage. This section briefly highlights the internal details of the CC3200 device and offers suggestions for application configurations.

5.1.1 Device Features

5.2 Functional Block Diagram

Figure 5-1 shows the functional block diagram of the CC3200 SimpleLink Wi-Fi solution.

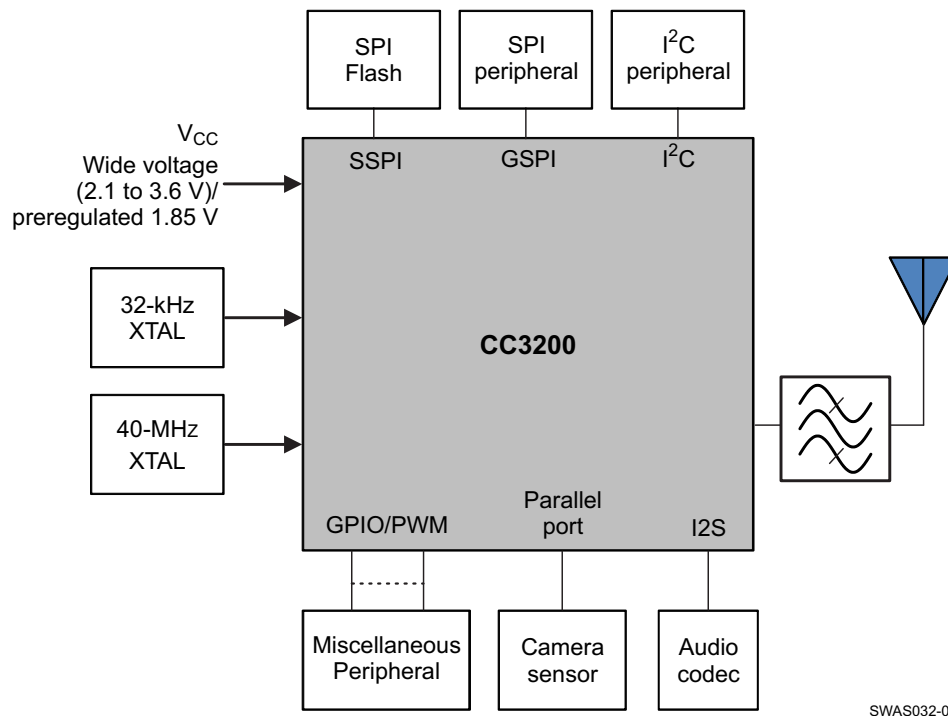


Figure 5-1. Functional Block Diagram

5.3 ARM Cortex-M4 Processor Core Subsystem

The high-performance ARM Cortex-M4 processor provides a low-cost platform that meets the needs of minimal memory implementation, reduced pin count, and low power consumption, while delivering outstanding computational performance and exceptional system response to interrupts.

- The ARM Cortex-M4 core has low-latency interrupt processing with the following features:
 - A 32-bit ARM Cortex Thumb® instruction set optimized for embedded applications
 - Handler and thread modes
 - Low-latency interrupt handling by automatic processor state saving and restoration during entry and exit
 - Support for ARMv6 unaligned accesses

- Nested vectored interrupt controller (NVIC) closely integrated with the processor core to achieve low latency interrupt processing. Features include:
 - Bits of priority configurable from 3 to 8
 - Dynamic reprioritization of interrupts
 - Priority grouping that enables selection of preempting interrupt levels and nonpreempting interrupt levels
 - Support for tail-chaining and late arrival of interrupts, which enables back-to-back interrupt processing without the overhead of state saving and restoration between interrupts
 - Processor state automatically saved on interrupt entry and restored on interrupt exit with no instruction overhead
 - Wake-up interrupt controller (WIC) providing ultra-low power sleep mode support
- Bus interfaces:
 - Three advanced high-performance bus (AHB-Lite) interfaces: ICode, DCode, and system bus interfaces
 - Bit-band support for memory and select peripheral that includes atomic bit-band write and read operations
- Low-cost debug solution featuring:
 - Debug access to all memory and registers in the system, including access to memory-mapped devices, access to internal core registers when the core is halted, and access to debug control registers even while SYSRESETn is asserted
 - Serial wire debug port (SW-DP) or serial wire JTAG debug port (SWJ-DP) debug access
 - Flash patch and breakpoint (FPB) unit to implement breakpoints and code patches

5.4 CC3200 Device Encryption

Figure 5-2 shows a standard MCU for the CC3200 device. Application image and user data files are not encrypted. Network certificates are encrypted using a device-specific key.

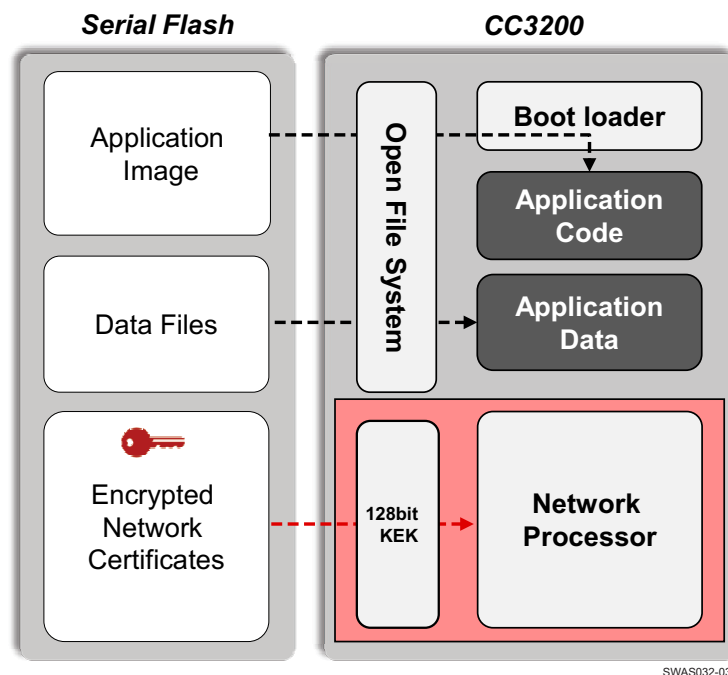


Figure 5-2. CC3200 Standard MCU

5.5 Wi-Fi Network Processor Subsystem

The Wi-Fi network processor subsystem includes a dedicated ARM MCU to completely offload the host MCU along with an 802.11 b/g/n radio, baseband, and MAC with a powerful crypto engine for a fast, secure WLAN and Internet connections with 256-bit encryption. The CC3200 device supports station, AP, and Wi-Fi Direct modes. The device also supports WPA2 personal and enterprise security and WPS 2.0. The Wi-Fi network processor includes an embedded IPv4 TCP/IP stack.

Table 5-1 summarizes the NWP features.

Table 5-1. Summary of Features Supported by the NWP Subsystem

Item	Domain	Category	Feature	Details
1	TCP/IP	Network Stack	IPv4	Baseline IPv4 stack
2	TCP/IP	Network Stack	TCP/UDP	Base protocols
3	TCP/IP	Protocols	DHCP	Client and server mode
4	TCP/IP	Protocols	ARP	Support ARP protocol
5	TCP/IP	Protocols	DNS/mDNS	DNS Address resolution and local server
6	TCP/IP	Protocols	IGMP	Up to IGMPv3 for multicast management
7	TCP/IP	Applications	mDNS	Support multicast DNS for service publishing over IP
8	TCP/IP	Applications	mDNS-SD	Service discovery protocol over IP in local network
9	TCP/IP	Applications	Web Sever/HTTP Server	URL static and dynamic response with template.
10	TCP/IP	Security	TLS/SSL	TLS v1.2 (client/server)/SSL v3.0
11	TCP/IP	Security	TLS/SSL	For the supported Cipher Suite, go to SimpleLink Wi-Fi CC3200 SDK .
12	TCP/IP	Sockets	RAW Sockets	User-defined encapsulation at WLAN MAC/PHY or IP layers
13	WLAN	Connection	Policies	Allows management of connection and reconnection policy
14	WLAN	MAC	Promiscuous mode	Filter-based Promiscuous mode frame receiver
15	WLAN	Performance	Initialization time	From enable to first connection to open AP less than 50 ms
16	WLAN	Performance	Throughput	UDP = 16 Mbps
17	WLAN	Performance	Throughput	TCP = 13 Mbps
18	WLAN	Provisioning	WPS2	Enrollee using push button or PIN method.
19	WLAN	Provisioning	AP Config	AP mode for initial product configuration (with configurable Web page and beacon Info element)
20	WLAN	Provisioning	SmartConfig	Alternate method for initial product configuration
21	WLAN	Role	Station	802.11bgn Station with legacy 802.11 power save
22	WLAN	Role	Soft AP	802.11 bg single station with legacy 802.11 power save
23	WLAN	Role	P2P	P2P operation as GO
24	WLAN	Role	P2P	P2P operation as CLIENT
25	WLAN	Security	STA-Personal	WPA2 personal security
26	WLAN	Security	STA-Enterprise	WPA2 enterprise security
27	WLAN	Security	STA-Enterprise	EAP-TLS
28	WLAN	Security	STA-Enterprise	EAP-PEAPv0/TLS
29	WLAN	Security	STA-Enterprise	EAP-PEAPv1/TLS
30	WLAN	Security	STA-Enterprise	EAP-PEAPv0/MSCHAPv2
31	WLAN	Security	STA-Enterprise	EAP-PEAPv1/MSCHAPv2
32	WLAN	Security	STA-Enterprise	EAP-TTLS/EAP-TLS
33	WLAN	Security	STA-Enterprise	EAP-TTLS/MSCHAPv2
34	WLAN	Security	AP-Personal	WPA2 personal security

5.6 Power-Management Subsystem

The CC3200 power-management subsystem contains DC-DC converters to accommodate the differing voltage or current requirements of the system.

- Digital DC-DC
 - Input: VBAT wide voltage (2.1 to 3.6 V) or preregulated 1.85 V
- ANA1 DC-DC
 - Input: VBAT wide voltage (2.1 to 3.6 V)
 - In preregulated 1.85-V mode, the ANA1 DC-DC converter is bypassed.
- PA DC-DC
 - Input: VBAT wide voltage (2.1 to 3.6 V)
 - In preregulated 1.85-V mode, the PA DC-DC converter is bypassed.

In preregulated 1.85-V mode, the ANA1 DC-DC and PA DC-DC converters are bypassed. The CC3200 device is a single-chip WLAN radio solution used on an embedded system with a wide-voltage supply range. The internal power management, including DC-DC converters and LDOs, generates all of the voltages required for the device to operate from a wide variety of input sources. For maximum flexibility, the device can operate in the modes described in the following sections.

5.6.1 VBAT Wide-Voltage Connection

In the wide-voltage battery connection, the device is powered directly by the battery or preregulated 3.3-V supply. All other voltages required to operate the device are generated internally by the DC-DC converters. This scheme is the most common mode for the device as it supports wide-voltage operation from 2.1 to 3.6 V (for electrical connections, see [Section 6.1.1, Typical Application – CC3200 Wide-Voltage Mode](#)).

5.6.2 Preregulated 1.85 V

The preregulated 1.85-V mode of operation applies an external regulated 1.85 V directly at the pins 10, 25, 33, 36, 37, 39, 44, 48, and 54 of the device. The VBAT and the VIO are also connected to the 1.85-V supply. This mode provides the lowest BOM count version in which inductors used for PA DC-DC and ANA1 DC-DC (2.2 and 1 μ H) and a capacitor (22 μ F) can be avoided. For electrical connections, see [Section 6.1.2, Typical Application – CC3200 Preregulated 1.85-V Mode](#).

In the preregulated 1.85-V mode, the regulator providing the 1.85 V must have the following characteristics:

- Load current capacity ≥ 900 mA.
- Line and load regulation with $< 2\%$ ripple with 500 mA step current and settling time of < 4 μ s with the load step.
- The regulator must be placed very close to the CC3200 device so that the IR drop to the device is very low.

5.7 Low-Power Operating Mode

From a power-management perspective, the CC3200 device comprises the following two independent subsystems:

- Cortex-M4 application processor subsystem
- Networking subsystem

Each subsystem operates in one of several power states.

The Cortex-M4 application processor runs the user application loaded from an external serial flash. The networking subsystem runs preprogrammed TCP/IP and Wi-Fi data link layer functions.

The user program controls the power state of the application processor subsystem and can be in one of the five modes described in [Table 5-2](#).

NOTE

[Table 5-2](#) lists the modes by power consumption, with highest power modes listed first.

Table 5-2. User Program Modes

Application Processor (MCU) Mode	Description
MCU active mode	MCU executing code at 80-MHz state rate
MCU sleep mode	The MCU clocks are gated off in sleep mode and the entire state of the device is retained. Sleep mode offers instant wakeup. The MCU can be configured to wake up by an internal fast timer or by activity from any GPIO line or peripheral.
MCU LPDS mode	State information is lost and only certain MCU-specific register configurations are retained. The MCU can wake up from external events or by using an internal timer. (The wake-up time is less than 3 ms.) Certain parts of memory can be retained while the MCU is in LPDS mode. The amount of memory retained is configurable. Users can choose to preserve code and the MCU-specific setting. The MCU can be configured to wake up using the RTC timer or by an external event on specific GPIOs defined in Table 3-1 as the wake-up source.
MCU hibernate mode	The lowest power mode in which all digital logic is power-gated. Only a small section of the logic directly powered by the input supply is retained. The real-time clock (RTC) clock keeps running and the MCU supports wakeup from an external event or from an RTC timer expiry. Wake-up time is longer than LPDS mode at about 15 ms plus the time to load the application from serial flash, which varies according to code size. In this mode, the MCU can be configured to wake up using the RTC timer or external event on a GPIO (GPIO0–GPIO6).

The NWP can be active or in LPDS mode and takes care of its own mode transitions. When there is no network activity, the NWP sleeps most of the time and wakes up only for beacon reception.

Table 5-3. Networking Subsystem Modes

Network Processor Mode	Description
Network active mode processing layer 3, 2, and 1	Transmitting or receiving IP protocol packets
Network active mode (processing layer 2 and 1)	Transmitting or receiving MAC management frames; IP processing not required.
Network active listen mode	Special power optimized active mode for receiving beacon frames (no other frames supported)
Network connected Idle	A composite mode that implements 802.11 infrastructure power save operation. The CC3200R network processor automatically goes into LPDS mode between beacons and then wakes to active listen mode to receive a beacon and determine if there is pending traffic at the access point. If not, the network processor returns to LPDS mode and the cycle repeats.
Network LPDS mode	Low-power state between beacons in which the state is retained by the network processor, allowing for a rapid wake up.
Network disabled	

The operation of the application and network processor ensures that the device remains in the lowest power mode most of the time to preserve battery life. [Table 5-4](#) summarizes the important CC3200 chip-level power modes.

Table 5-4. Important Chip-Level Power Modes

Power States for Applications MCU and Network Processor	Network Processor Active Mode (Transmit, Receive, or Listen)	Network Processor LPDS Mode	Network Processor Disabled
MCU active mode	Chip = active (C)	Chip = active	Chip = active
MCU LPDS mode	Chip = active (A)	Chip = LPDS (B)	Chip = LPDS
MCU hibernate mode	Not supported because chip is hibernated by MCU; thus, network processor cannot be in active mode	Not supported because chip is hibernated by MCU; thus, network processor cannot be in LPDS mode	Chip = hibernate (D)

The following examples show the use of the power modes in applications:

- A product that is continuously connected to the network in the 802.11 infrastructure power-save mode but sends and receives little data spends most of the time in connected idle, which is a composite of modes A (receiving a beacon frame) and B (waiting for the next beacon).
- A product that is not continuously connected to the network but instead wakes up periodically (for example, every 10 minutes) to send data spends most of the time in mode D (hibernate), jumping briefly to mode C (active) to transmit data.

5.8 Memory

5.8.1 External Memory Requirements

The CC3200 device maintains a proprietary file system on the SFLASH. The CC3200 file system stores the service pack file, system files, configuration files, certificate files, web page files, and user files. By using a format command through the API, users can provide the total size allocated for the file system. The starting address of the file system cannot be set and is always located at the beginning of the SFLASH. The applications microcontroller must access the SFLASH memory area allocated to the file system directly through the CC3200 file system. The applications microcontroller must not access the SFLASH memory area directly.

The file system manages the allocation of SFLASH blocks for stored files according to download order, which means that the location of a specific file is not fixed in all systems. Files are stored on SFLASH using human-readable file names rather than file IDs. The file system API works using plain text, and file encryption and decryption is invisible to the user. Encrypted files can be accessed only through the file system (see [Figure 5-2](#)).

All file types can have a maximum of 128 supported files in the file system. All files are stored in blocks of 4KB and thus use a minimum of 4KB of flash space. Encrypted files with fail-safe support and optional security are twice the original size and use a minimum of 8KB. Encrypted files are counted as fail safe in terms of space. The maximum file size is 16MB.

[Table 5-5](#) lists the SFLASH size recommendations.

Table 5-5. CC3200 SFLASH Size Recommendations

Item	Typical Fail-Safe	Typical NonFail-Safe
File system	20KB	20KB
Service pack	224KB	112KB
System and configuration files	216KB	108KB
MCU code	512KB	256KB
Total	8Mb	4Mb
Recommended	16Mb	8Mb

The CC3200 device supports JEDEC specification SFDP (serial flash device parameters). The following SFLASH devices are verified for functionality with the CC3200 device in addition to the ones in the reference design:

- Micron (N25Q128-A13BSE40): 128Mb
- Spansion (S25FL208K): 8Mb
- Winbond (W25Q16V): 16Mb
- Adesto (AT25DF081A): 8Mb
- Macronix (MX25L12835F-M2): 128Mb

For compatibility with the CC3200 device, the SFLASH device must support the following commands:

- Command 0x9F (read the device ID [JEDEC]). Procedure: SEND 0x9F, READ 3 bytes.
- Command 0x05 (read the status of the SFLASH). Procedure: SEND 0x05, READ 1 byte. Assume bit 0 is busy and bit 1 is write enable.

- Command 0x06 (set write enable). Procedure: SEND 0x06, read status until write-enable bit is set.
- Command 0xC7 (chip erase). Procedure: SEND 0xC7, read status until busy bit is cleared.
- Command 0x03 (read data). Procedure: SEND 0x03, SEND 24-bit address, read n bytes.
- Command 0x02 (write page). Procedure: SEND 0x02, SEND 24-bit address, write n bytes ($0 < n < 256$).
- Command 0x20 (sector erase). Procedure: SEND 0x20, SEND 24-bit address, read status until busy bit is cleared. Sector size is assumed to be always 4K.

5.8.2 Internal Memory

The CC3200 device includes on-chip SRAM to which application programs are downloaded and executed. The application developer must share the SRAM for code and data. To select the appropriate SRAM configuration, see the device variants listed in the orderable addendum at the end of this datasheet. The micro direct memory access (μ DMA) controller can transfer data to and from SRAM and various peripherals. The CC3200 ROM holds the rich set of peripheral drivers, which saves SRAM space. For more information on drivers, see the CC3200 API list.

5.8.2.1 SRAM

The CC3200 family provides up to 256KB of zero-wait-state, on-chip SRAM. Internal RAM is capable of selective retention during LPDS mode. This internal SRAM is located at offset 0x2000 0000 of the device memory map.

Use the μ DMA controller to transfer data to and from the SRAM.

When the device enters low-power mode, the application developer can choose to retain a section of memory based on need. Retaining the memory during low-power mode provides a faster wakeup. The application developer can choose the amount of memory to retain in multiples of 64KB. For more information, see the API guide.

5.8.2.2 ROM

The internal zero-wait-state ROM of the CC3200 device is at address 0x0000 0000 of the device memory and programmed with the following components:

- Bootloader
- Peripheral driver library (DriverLib) release for product-specific peripherals and interfaces

The bootloader is used as an initial program loader (when the serial flash memory is empty). The CC3200 DriverLib software library controls on-chip peripherals with a bootloader capability. The library performs peripheral initialization and control functions, with a choice of polled or interrupt-driven peripheral support. The DriverLib APIs in ROM can be called by applications to reduce flash memory requirements and free the flash memory to be used for other purposes.

5.8.2.3 Memory Map

[Table 5-6](#) describes the various MCU peripherals and how they are mapped to the processor memory. For more information on peripherals, see the API document.

Table 5-6. Memory Map

Start Address	End Address	Description	Comment
0x0000 0000	0x0007 FFFF	On-chip ROM (Bootloader + DriverLib)	
0x2000 0000	0x2003 FFFF	Bit-banded on-chip SRAM	
0x2200 0000	0x23FF FFFF	Bit-band alias of 0x2000 0000 through 0x200F FFFF	
0x4000 0000	0x4000 0FFF	Watchdog timer A0	
0x4000 4000	0x4000 4FFF	GPIO port A0	
0x4000 5000	0x4000 5FFF	GPIO port A1	
0x4000 6000	0x4000 6FFF	GPIO port A2	

Table 5-6. Memory Map (continued)

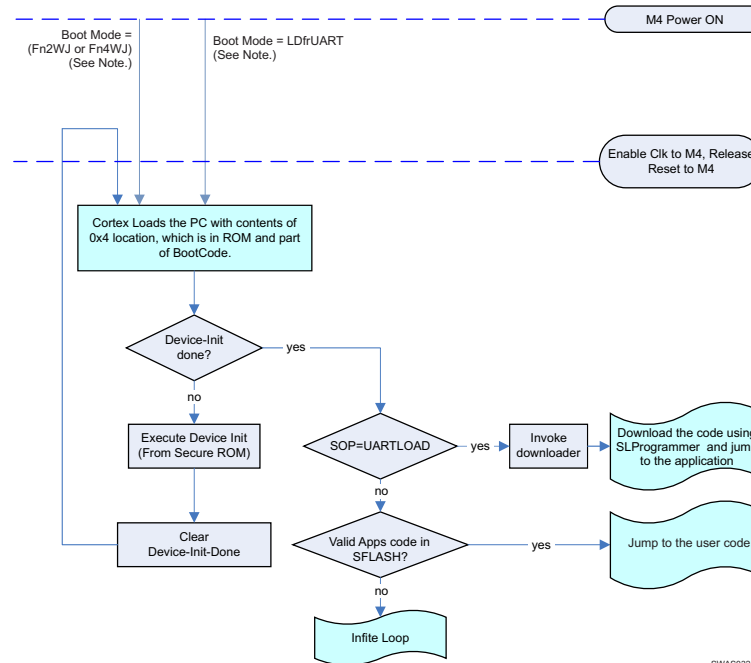
Start Address	End Address	Description	Comment
0x4000 7000	0x4000 7FFF	GPIO port A3	
0x4000 C000	0x4000 CFFF	UART A0	
0x4000 D000	0x4000 DFFF	UART A1	
0x4002 0000	0x4002 07FF	I ² C A0 (Master)	
0x4002 0800	0x4002 0FFF	I ² C A0 (Slave)	
0x4003 0000	0x4003 0FFF	General-purpose timer A0	
0x4003 1000	0x4003 1FFF	General-purpose timer A1	
0x4003 2000	0x4003 2FFF	General-purpose timer A2	
0x4003 3000	0x4003 3FFF	General-purpose timer A3	
0x400F 7000	0x400F 7FFF	Configuration registers	
0x400F E000	0x400F EFFF	System control	
0x400F F000	0x400F FFFF	μDMA	
0x4200 0000	0x43FF FFFF	Bit band alias of 0x4000.0000 through 0x400F.FFFF	
0x4401 C000	0x4401 EFFF	McASP	
0x4402 0000	0x4402 0FFF	SSPI	Used for external serial flash
0x4402 1000	0x4402 2FFF	GSPI	Used by application processor
0x4402 5000	0x4402 5FFF	MCU reset clock manager	
0x4402 6000	0x4402 6FFF	MCU configuration space	
0x4402 D000	0x4402 DFFF	Global power, reset, and clock manager (GPRCM)	
0x4402 E000	0x4402 EFFF	MCU shared configuration	
0x4402 F000	0x4402 FFFF	Hibernate configuration	
0x4403 0000	0x4403 FFFF	Crypto range (includes apertures for all crypto-related blocks as follows)	
0x4403 0000	0x4403 0FFF	DTHE registers and TCP checksum	
0x4403 5000	0x4403 5FFF	MD5/SHA	
0x4403 7000	0x4403 7FFF	AES	
0x4403 9000	0x4403 9FFF	DES	
0xE000 0000	0xE000 0FFF	Instrumentation trace Macrocell™	
0xE000 1000	0xE000 1FFF	Data watchpoint and trace (DWT)	
0xE000 2000	0xE000 2FFF	Flash patch and breakpoint (FPB)	
0xE000 E000	0xE000 EFFF	Nested vectored interrupt controller (NVIC)	
0xE004 0000	0xE004 0FFF	Trace port interface unit (TPIU)	
0xE004 1000	0xE004 1FFF	Reserved for embedded trace macrocell (ETM)	
0xE004 2000	0xE00F FFFF	Reserved	

5.9 Boot Modes

5.9.1 Overview

The boot process of the application processor includes two phases. The first phase consists of unrestricted access to all register space and configuration of the specific device setting. In the second phase, the application processor executes user-specific code.

Figure 5-3 shows the bootloader flow chart.



Note: For definitions of the SoP mode functional configurations, see [Table 5-7](#).

Figure 5-3. Bootloader Flow Chart

5.9.2 Invocation Sequence/Boot Mode Selection

The following sequence of events occur during the Cortex processor boot:

1. After power-on-reset (POR), the processor starts execution.
2. The processor jumps to the first few lines (FFL) of code in the ROM to determine if the current boot is the first device-init boot or the second MCU boot. The determination is based on the Device-Init flag in a secure register. The Device-Init flag is set out of POR. The registers in the secure region are accessible only in the device-init mode.
3. If the current boot is the first boot, the processor executes the device-init code from ROM.
4. At the end of the boot, the processor clears the Device-Init flag and changes the master ID of the processor and the DMA. These registers are part of the secure region.
5. The processor resets itself, initiating a second boot.
6. During the second boot, the processor rereads the Device-Init flag, the bit is cleared, and the processor obtains a different master ID.
7. After executing FFL and the unsecure boot code, the processor jumps to the developer code (application).
8. For the rest of the operation (until the next power cycle), the Cortex mode is designated the MCU. During this phase, access to the secure region is restricted.

5.9.3 Boot Mode List

The CC3200 device implements a sense-on-power (SoP) scheme to determine the device operation mode. The device can be configured to power up in one of the three following modes:

- Fn4WJ: Functional mode with a 4-wire JTAG mapped to fixed pins.
- Fn2WJ: Functional mode with a 2-wire SWD mapped to fixed pins.
- LDfrUART: UART load mode to flash the system during development and in OEM assembly line (for example, serial flash connected to the CC3200R device).

SoP values are sensed from the device pin during power up. This encoding determines the boot flow. Before the device is taken out of reset, the SoP values are copied to a register and then determine the device operation mode while powering up. These values determine the boot flow as well as the default mapping for some of the pins (JTAG, SWD, UART0) [Table 5-7](#) show the pull configurations.

Table 5-7. CC32x0 Functional Configurations

Name	SoP[2]	SoP[1]	SoP[0]	SoP Mode	Comment
UARTLOAD	Pullup	Pulldown	Pulldown	LDfrUART	Factory/Lab Flash/SRAM load through UART. Device waits indefinitely for UART to load code. The SOP bits then must be toggled to configure the device in functional mode. Also puts JTAG in 4-wire mode.
FUNCTIONAL_2WJ	Pulldown	Pulldown	Pullup	Fn2WJ	Functional development mode. In this mode, two-pin SWD is available to the developer. TMS and TCK are available for debugger connection.
FUNCTIONAL_4WJ	Pulldown	Pulldown	Pulldown	Fn4WJ	Functional development mode. In this mode, four-pin JTAG is available to the developer. TDI, TMS, TCK, and TDO are available for debugger connection.

The recommended value of pull resistors for SOP0 and SOP1 is 100 k Ω and 2.7 k Ω for SOP2. SOP2 can be used by the application for other functions after chip power-up is complete. However, to avoid spurious SOP values from being sensed at power-up, TI strongly recommends that the SOP2 pin be used only for output signals. On the other hand, the SOP0 and SOP1 pins are multiplexed with WLAN analog test pins and are not available for other functions.

6 Applications and Implementation

6.1 Application Information

6.1.1 Typical Application – CC3200 Wide-Voltage Mode

Figure 6-1 shows the schematics for an application using the CC3200 wide-voltage mode.

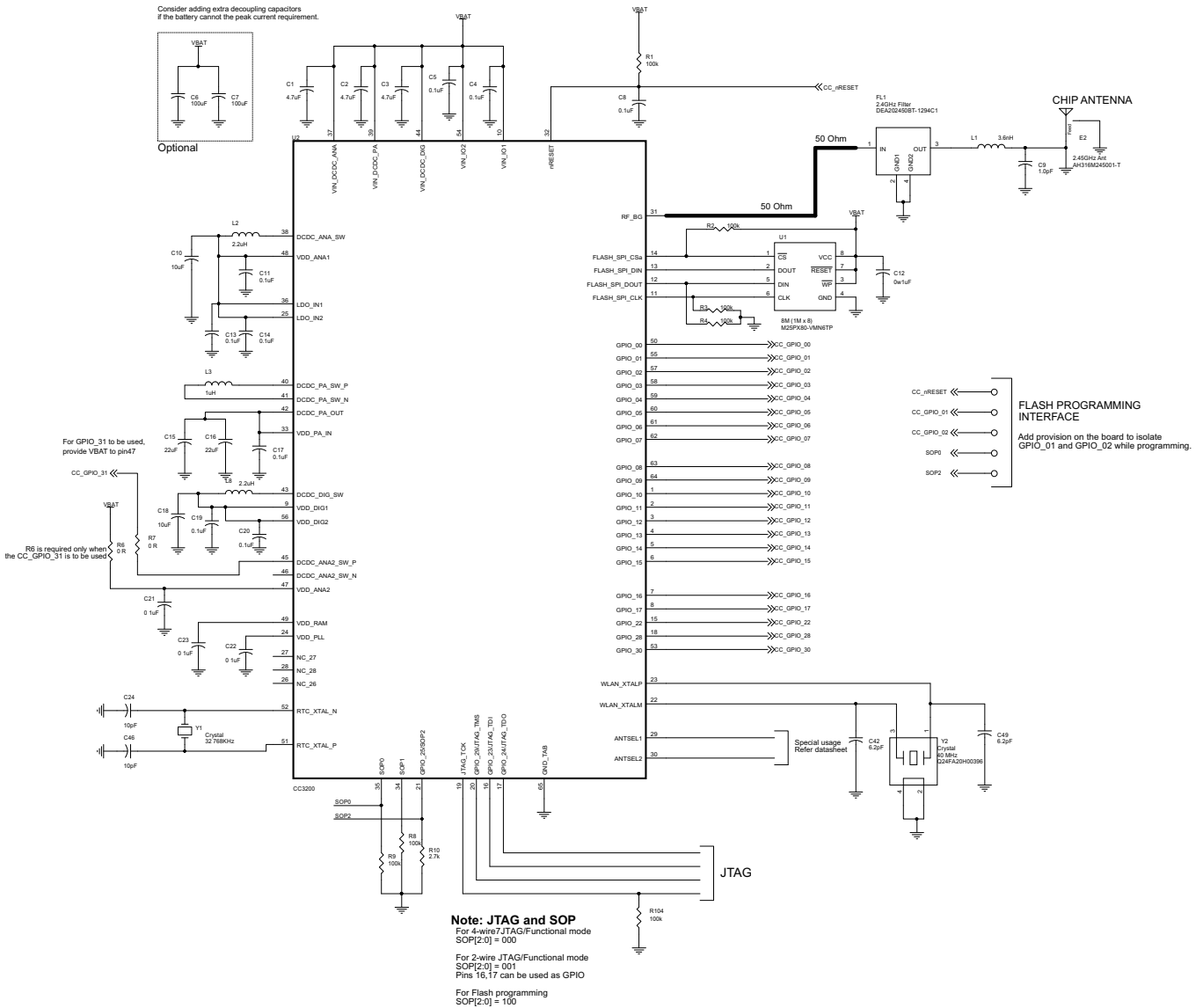


Figure 6-1. Schematics for CC3200 Wide-Voltage Mode Application

Table 6-1 lists the bill of materials for an application using the CC3200 wide-voltage mode.

Table 6-1. Bill of Materials for CC3200 Wide-Voltage Mode Application

Item	Qty	Part Reference	Value	Manufacturer	Part Number	Description
1	3	C1 C2 C3	4.7 μ F	Samsung Electro-Mechanics America, Inc	CL05A475MQ5NRNC	Capacitor, Ceramic: 4.7 μ F 6.3 V 20% X5R 0402
2	13	C4 C5 C8 C11 C12 C13 C14 C17 C19 C20 C21 C22 C23	0.1 μ F	Taiyo Yuden	LMK105BJ104KV-F	Capacitor, Ceramic: 0.1 μ F 10 V 10% X5R 0402
3	1	C9	1.0 pF	Murata Electronics North America	GJM1555C1H1R0BB01D	Capacitor, Ceramic: 1 pF 50 V NP0 0402
4	2	C10 C18	10 μ F	Murata Electronics North America	GRM188R60J106ME47D	Capacitor, Ceramic: 10 μ F 6.3 V 20% X5R 0603
5	2	C15 C16	22 μ F	Taiyo Yuden	AMK107BBJ226MAHT	Capacitor, Ceramic: 22 μ F 4 V 20% X5R 0603
6	2	C24 C46	10 pF	Murata Electronics North America	GRM1555C1H100FA01D	Capacitor, Ceramic: 10 pF 50 V 1% NP0 0402
7	2	C42 C49	6.2 pF	Murata Electronics North America	GRM1555C1H6R2BA01D	Capacitor, Ceramic: 6.2 pF 50 V NP0 0402
8	1	E2	2.4-GHz Ant	Taiyo Yuden	AH316M245001-T	Chip Antenna: 50 Ω Bluetooth WLAN ZigBee® WIMAX
9	1	FL1	2.4-GHz Filter	TDK-Epcos	DEA202450BT-1294C1-H	Filter, Bandpass: 2.4 GHz WLAN SMD
10	1	L1	3.6 nH	Murata Electronics North America	LQP15MN3N6B02D	Inductor: 3.6 nH 0.1 nH 0402
11	2	L2 L8	2.2 μ H	Murata Electronics North America	LQM2HPN2R2MG0L	Inductor: 2.2 μ H 20% 1300 mA 1008
12	1	L3	1 μ H	Murata	LQM2HPN1R0MJ0L	Inductor, Power: 1.0 μ H 1500 mA 1007
16	1	U1	8M (1M x 8)	Micron Technology Inc	M25PX80-VMN6TP	IC Flash: 8Mb 75 MHz 8SO
17	1	U2	CC3200	Texas Instruments	CC3200R1	ARM M4 MCU with 802.11bgn WI-FI
18	1	Y1	Crystal	Abracon Corporation	ABS07-32.768KHZ-T	Crystal: 32.768 kHz 12.5 pF SMD
19	1	Y2	Crystal	Epson	Q24FA20H00396	Crystal: 40 MHz 8 pF SMD

NOTE

Use any 5% tolerance resistor 0402 or higher package.

6.1.2 Typical Application – CC3200 Preregulated 1.85-V Mode

Figure 6-2 shows the schematics for an application using the CC3200 preregulated 1.85-V mode.

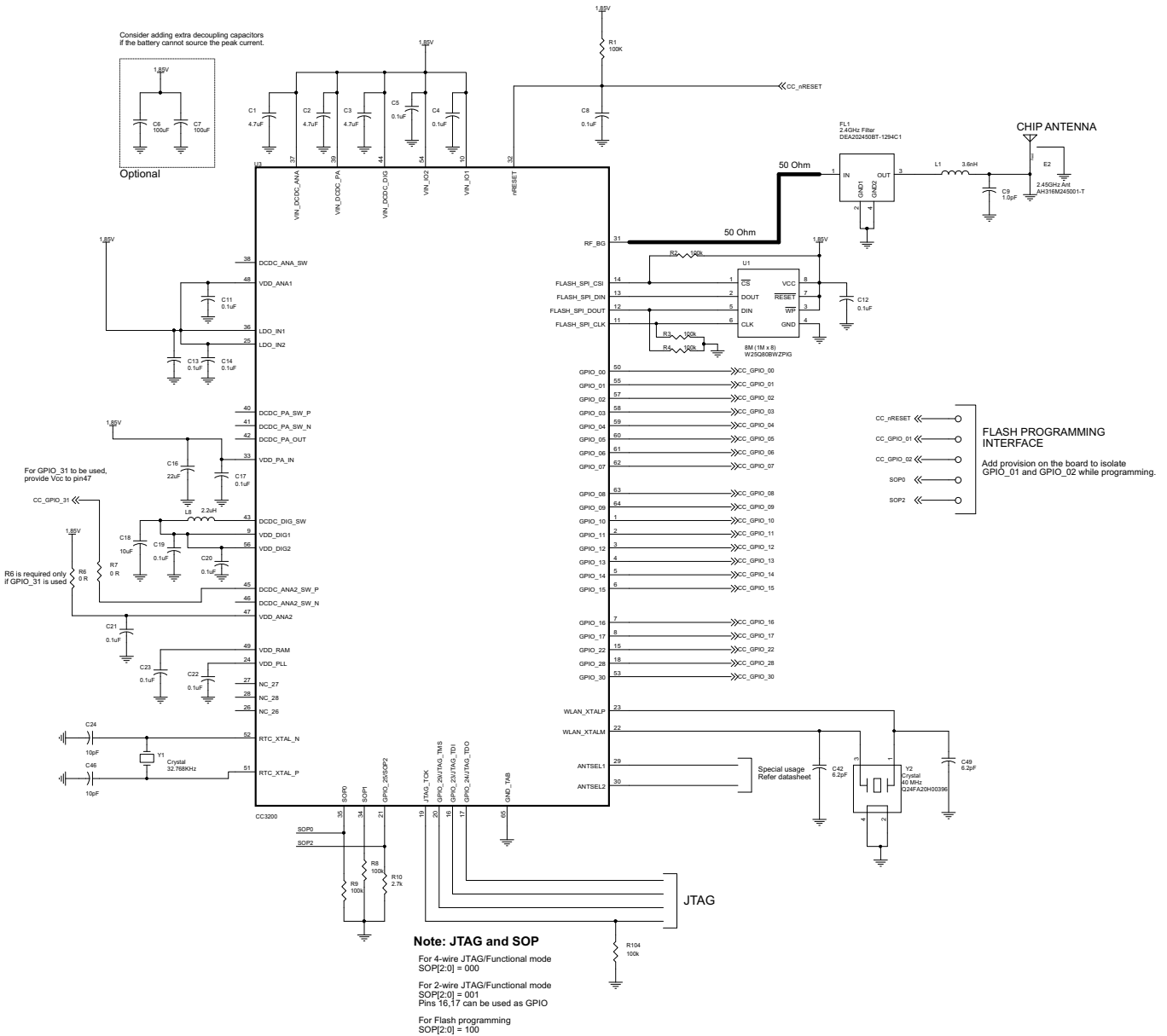


Figure 6-2. Schematics for CC3200 Preregulated 1.85-V Mode Application

Table 6-1 lists the bill of materials for an application using the CC3200 preregulated 1.85-V mode.

Table 6-2. Bill of Materials for CC3200 Preregulated 1.85-V Mode Application

Item	Qty	Part Reference	Value	Manufacturer	Part Number	Description
1	3	C1 C2 C3	4.7 μ F	Samsung Electro-Mechanics America, Inc	CL05A475MQ5NRNC	Capacitor, Ceramic: 4.7 μ F 6.3 V 20% X5R 0402
2	12	C4 C5 C8 C11 C12 C14 C17 C19 C20 C21 C22 C23	0.1 μ F	Taiyo Yuden	LMK105BJ104KV-F	Capacitor, Ceramic: 0.1 μ F 10 V 10% X5R 0402
3	1	C9	1.0 pF	Murata Electronics North America	GJM1555C1H1R0BB01D	Capacitor, Ceramic: 1 pF 50 V NP0 0402
4	1	C16	22 μ F	Taiyo Yuden	AMK107BBJ226MAHT	Capacitor, Ceramic: μ F 4 V 20% X5R 0603
5	2	C13 C18	10 μ F	Murata Electronics North America	GRM188R60J106ME47D	Capacitor, Ceramic: 10 μ F 6.3 V 20% X5R 0603
6	2	C24 C46	10 pF	Murata Electronics North America	GRM1555C1H100FA01D	Capacitor, Ceramic: 10 pF 50 V 1% NP0 0402
7	2	C42 C49	6.2 pF	Murata Electronics North America	GRM1555C1H6R2BA01D	Capacitor, Ceramic: 6.2 pF 50 V NP0 0402
8	1	E2	2.4-GHz Ant	Taiyo Yuden	AH316M245001-T	Antenna, Chip: 50 Ω Bluetooth WLAN ZigBee WIMAX
9	1	FL1	2.4-GHz Filter	TDK-Epcos	DEA202450BT-1294C1-H	Filter, Bandpass: 2.4 GHz WLAN SMD
10	1	L1	3.6 nH	Murata Electronics North America	LQP15MN3N6B02D	Inductor: 3.6 nH 0.1 nH 0402
11	1	L8	2.2 μ H	Murata Electronics North America	LQM2HPN2R2MG0L	Inductor: 2.2 μ H 20% 1300 mA 1008
15	1	U1	8M (1M x 8)	Winbond	W25Q80BWZPIG	IC FLASH 8Mb 75 MHz 8WSON
16	1	U2	CC3200	Texas Instruments	CC3200R1	ARM M4 MCU with 802.11bgn WIFI
17	1	Y1	Crystal	Abracon Corporation	ABS07-32.768KHZ-T	Crystal: 32.768 kHz 12.5 pF SMD
18	1	Y2	Crystal	Epson	Q24FA20H00396	Crystal: 40 MHz 8 pF SMD

NOTE

Use any 5% tolerance resistor 0402 or higher package.

7 Device and Documentation Support

7.1 Device Support

7.1.1 Development Support

The CC3200 evaluation board includes a set of tools and documentation to help the user during the development phase.

7.1.1.1 PinMux Tool

The CC3200 device uses pin multiplexing extensively to accommodate the large number of peripheral functions in the smallest possible package. The PinMux tool is a utility used to select the appropriate pin multiplexing configuration that meets the end application requirements. The PinMux tool makes it easy to understand the various pin multiplexing options and enables the best configuration to be chosen without error.

7.1.1.2 Radio Tool

The SimpleLink radio tool is a utility for operating and testing the CC3200 chipset designs during development of the application board. The CC3200 device has an auto-calibrated radio that enables easy connection to the antenna without requiring expertise in radio circuit design.

7.1.1.3 Uniflash Flash Programmer

The Uniflash flash programmer utility allows end users to communicate with the SimpleLink device to update the serial flash. The easy GUI interface enables flashing of files (including read-back verification option), storage format (secured and nonsecured formatting), version reading for boot loader and chip ID, and so on.

7.1.2 Device Nomenclature

To designate the stages in the product development cycle, TI assigns prefixes to the part numbers of the CC3200 device and support tools (see [Figure 7-1](#)).

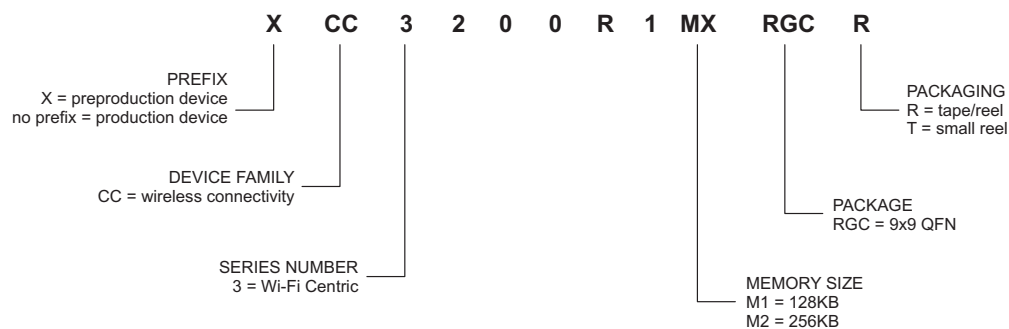


Figure 7-1. CC3200 Device Nomenclature

7.2 Documentation Support

The following documents provide support for the CC3200 device.

SWRU372	<i>CC3200 SimpleLink Wi-Fi and IoT Solution With MCU LaunchPad Getting Started Guide</i>
SWRU367	<i>CC3200 SimpleLink Wi-Fi and IoT Solution With MCU Technical Reference Manual</i>
SWRU369	<i>CC3200 SimpleLink Wi-Fi and IoT Solution With MCU Programmer's Guide</i>
SWRU370	<i>CC3100 and CC3200 SimpleLink Wi-Fi and IoT Solution Layout Guidelines</i>
SWRC289	<i>CC3200 SimpleLink Wi-Fi and IoT Solution With MCU LaunchPad Board Design Files</i>

7.3 Community Resources

The following links connect to TI community resources. Linked contents are provided "AS IS" by the respective contributors. They do not constitute TI specifications and do not necessarily reflect TI's views; see TI's [Terms of Use](#).

[TI E2E™ Online Community](#) *TI's Engineer-to-Engineer (E2E) Community.* Created to foster collaboration among engineers. At e2e.ti.com, you can ask questions, share knowledge, explore ideas and help solve problems with fellow engineers.

[TI Embedded Processors Wiki](#) *Texas Instruments Embedded Processors Wiki.* Established to help developers get started with Embedded Processors from Texas Instruments and to foster innovation and growth of general knowledge about the hardware and software surrounding these devices.

7.4 Trademarks

SimpleLink, Internet-On-a-Chip, SmartConfig, E2E are trademarks of Texas Instruments.

Cortex is a registered trademark of ARM Limited.

ARM is a registered trademark of ARM Physical IP, Inc.

Macrocell is a trademark of Kappa Global Inc.

Wi-Fi CERTIFIED is a trademark of Wi-Fi Alliance.

Wi-Fi, Wi-Fi Direct are registered trademarks of Wi-Fi Alliance.

ZigBee is a registered trademark of ZigBee Alliance.

All other trademarks are the property of their respective owners.

7.5 Electrostatic Discharge Caution



This integrated circuit can be damaged by ESD. Texas Instruments recommends that all integrated circuits be handled with appropriate precautions. Failure to observe proper handling and installation procedures can cause damage.

ESD damage can range from subtle performance degradation to complete device failure. Precision integrated circuits may be more susceptible to damage because very small parametric changes could cause the device not to meet its published specifications.

7.6 Glossary

[SLYZ022](#) — *TI Glossary.*

This glossary lists and explains terms, acronyms, and definitions.

8 Mechanical Packaging and Orderable Information

The following pages include mechanical packaging and orderable information. This information is the most current data available for the designated devices. This data is subject to change without notice and revision of this document. For browser-based versions of this data sheet, refer to the left-hand navigation.

PACKAGING INFORMATION

Orderable Device	Status (1)	Package Type	Package Drawing	Pins	Package Qty	Eco Plan (2)	Lead/Ball Finish (6)	MSL Peak Temp (3)	Op Temp (°C)	Device Marking (4/5)	Samples
CC3200R1M1RGCR	ACTIVE	VQFN	RGC	64	2500	Green (RoHS & no Sb/Br)	CU	Level-3-260C-168 HR	-40 to 85	CC3200R1 M1	Samples
CC3200R1M2RGC	ACTIVE	VQFN	RGC	64	260	Green (RoHS & no Sb/Br)	CU	Level-3-260C-168 HR	-40 to 85	CC3200R1 M2	Samples
CC3200R1M2RGCR	ACTIVE	VQFN	RGC	64	2500	Green (RoHS & no Sb/Br)	CU	Level-3-260C-168 HR	-40 to 85	CC3200R1 M2	Samples

(1) The marketing status values are defined as follows:

ACTIVE: Product device recommended for new designs.

LIFEBUY: TI has announced that the device will be discontinued, and a lifetime-buy period is in effect.

NRND: Not recommended for new designs. Device is in production to support existing customers, but TI does not recommend using this part in a new design.

PREVIEW: Device has been announced but is not in production. Samples may or may not be available.

OBSOLETE: TI has discontinued the production of the device.

(2) Eco Plan - The planned eco-friendly classification: Pb-Free (RoHS), Pb-Free (RoHS Exempt), or Green (RoHS & no Sb/Br) - please check <http://www.ti.com/productcontent> for the latest availability information and additional product content details.

TBD: The Pb-Free/Green conversion plan has not been defined.

Pb-Free (RoHS): TI's terms "Lead-Free" or "Pb-Free" mean semiconductor products that are compatible with the current RoHS requirements for all 6 substances, including the requirement that lead not exceed 0.1% by weight in homogeneous materials. Where designed to be soldered at high temperatures, TI Pb-Free products are suitable for use in specified lead-free processes.

Pb-Free (RoHS Exempt): This component has a RoHS exemption for either 1) lead-based flip-chip solder bumps used between the die and package, or 2) lead-based die adhesive used between the die and leadframe. The component is otherwise considered Pb-Free (RoHS compatible) as defined above.

Green (RoHS & no Sb/Br): TI defines "Green" to mean Pb-Free (RoHS compatible), and free of Bromine (Br) and Antimony (Sb) based flame retardants (Br or Sb do not exceed 0.1% by weight in homogeneous material)

(3) MSL, Peak Temp. - The Moisture Sensitivity Level rating according to the JEDEC industry standard classifications, and peak solder temperature.

(4) There may be additional marking, which relates to the logo, the lot trace code information, or the environmental category on the device.

(5) Multiple Device Markings will be inside parentheses. Only one Device Marking contained in parentheses and separated by a "~" will appear on a device. If a line is indented then it is a continuation of the previous line and the two combined represent the entire Device Marking for that device.

(6) Lead/Ball Finish - Orderable Devices may have multiple material finish options. Finish options are separated by a vertical ruled line. Lead/Ball Finish values may wrap to two lines if the finish value exceeds the maximum column width.

Important Information and Disclaimer: The information provided on this page represents TI's knowledge and belief as of the date that it is provided. TI bases its knowledge and belief on information provided by third parties, and makes no representation or warranty as to the accuracy of such information. Efforts are underway to better integrate information from third parties. TI has taken and

continues to take reasonable steps to provide representative and accurate information but may not have conducted destructive testing or chemical analysis on incoming materials and chemicals. TI and TI suppliers consider certain information to be proprietary, and thus CAS numbers and other limited information may not be available for release.

In no event shall TI's liability arising out of such information exceed the total purchase price of the TI part(s) at issue in this document sold by TI to Customer on an annual basis.

TAPE AND REEL INFORMATION

QUADRANT ASSIGNMENTS FOR PIN 1 ORIENTATION IN TAPE


*All dimensions are nominal

Device	Package Type	Package Drawing	Pins	SPQ	Reel Diameter (mm)	Reel Width W1 (mm)	A0 (mm)	B0 (mm)	K0 (mm)	P1 (mm)	W (mm)	Pin1 Quadrant
CC3200R1M1RGCR	VQFN	RGC	64	2500	330.0	16.4	9.3	9.3	1.1	12.0	16.0	Q2
CC3200R1M2RGCR	VQFN	RGC	64	2500	330.0	16.4	9.3	9.3	1.1	12.0	16.0	Q2

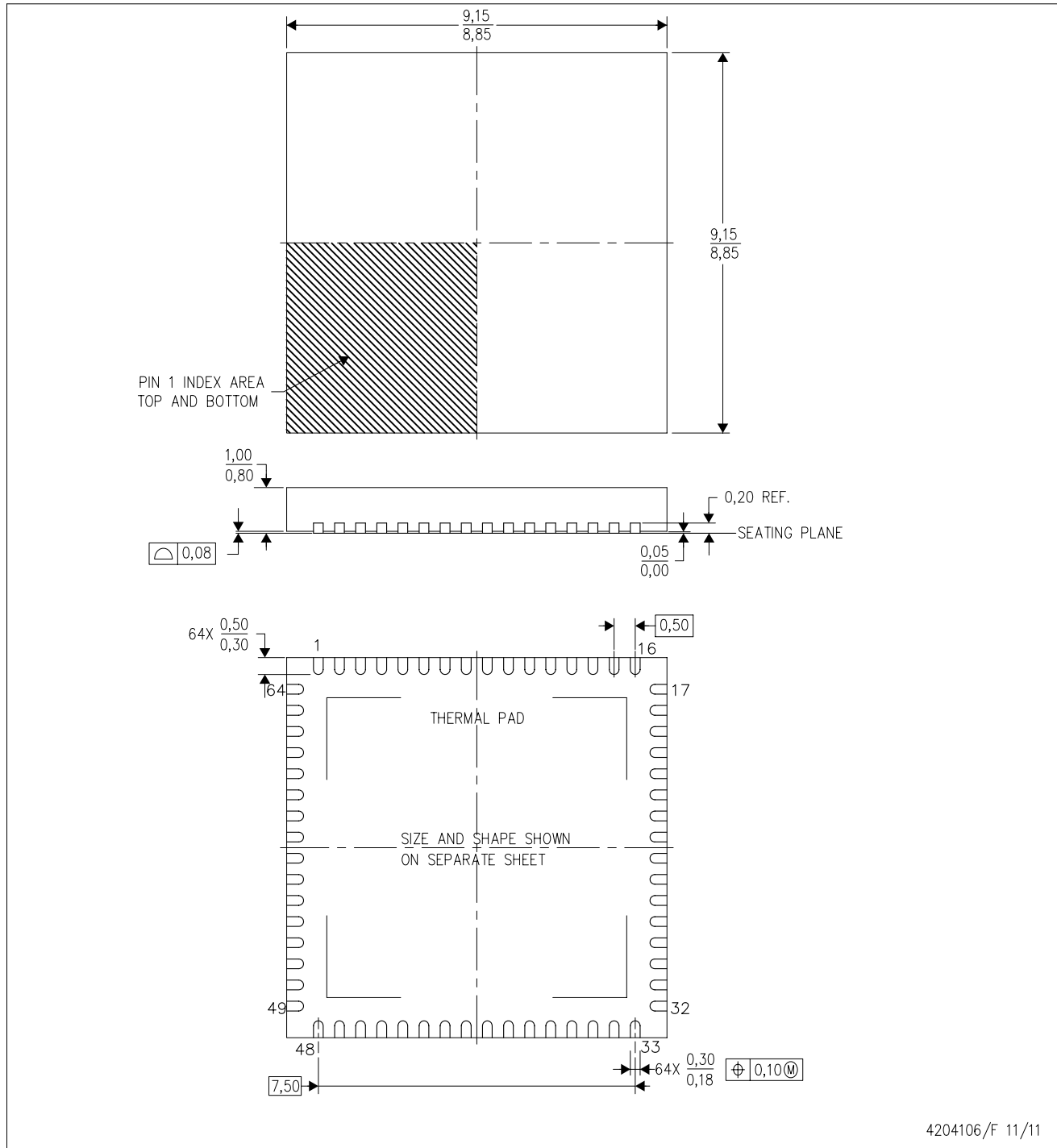
TAPE AND REEL BOX DIMENSIONS


*All dimensions are nominal

Device	Package Type	Package Drawing	Pins	SPQ	Length (mm)	Width (mm)	Height (mm)
CC3200R1M1RGCR	VQFN	RGC	64	2500	367.0	367.0	38.0
CC3200R1M2RGCR	VQFN	RGC	64	2500	367.0	367.0	38.0

MECHANICAL DATA

RGC(S-PVQFN-N64) CUSTOM DEVICE PLASTIC QUAD FLATPACK NO-LEAD



- NOTES:
- All linear dimensions are in millimeters. Dimensioning and tolerancing per ASME Y14.5-1994.
 - This drawing is subject to change without notice.
 - Quad Flatpack, No-leads (QFN) package configuration.
 - The package thermal pad must be soldered to the board for thermal and mechanical performance.
 - See the additional figure in the Product Data Sheet for details regarding the exposed thermal pad features and dimensions.

THERMAL PAD MECHANICAL DATA

RGC (S-PVQFN-N64)

PLASTIC QUAD FLATPACK NO-LEAD

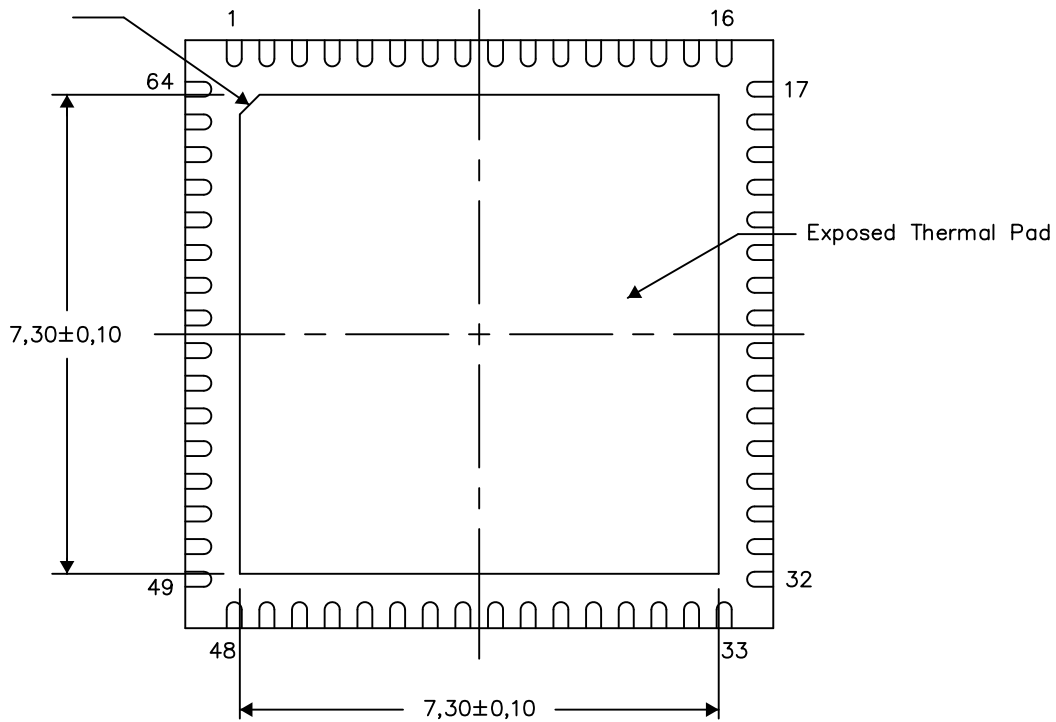
THERMAL INFORMATION

This package incorporates an exposed thermal pad that is designed to be attached directly to an external heatsink. The thermal pad must be soldered directly to the printed circuit board (PCB). After soldering, the PCB can be used as a heatsink. In addition, through the use of thermal vias, the thermal pad can be attached directly to the appropriate copper plane shown in the electrical schematic for the device, or alternatively, can be attached to a special heatsink structure designed into the PCB. This design optimizes the heat transfer from the integrated circuit (IC).

For information on the Quad Flatpack No-Lead (QFN) package and its advantages, refer to Application Report, QFN/SON PCB Attachment, Texas Instruments Literature No. SLUA271. This document is available at www.ti.com.

The exposed thermal pad dimensions for this package are shown in the following illustration.

PIN 1 INDICATOR
CO,30



Bottom View

Exposed Thermal Pad Dimensions

4206192-14/AE 03/15

NOTE: A. All linear dimensions are in millimeters

IMPORTANT NOTICE

Texas Instruments Incorporated and its subsidiaries (TI) reserve the right to make corrections, enhancements, improvements and other changes to its semiconductor products and services per JESD46, latest issue, and to discontinue any product or service per JESD48, latest issue. Buyers should obtain the latest relevant information before placing orders and should verify that such information is current and complete. All semiconductor products (also referred to herein as "components") are sold subject to TI's terms and conditions of sale supplied at the time of order acknowledgment.

TI warrants performance of its components to the specifications applicable at the time of sale, in accordance with the warranty in TI's terms and conditions of sale of semiconductor products. Testing and other quality control techniques are used to the extent TI deems necessary to support this warranty. Except where mandated by applicable law, testing of all parameters of each component is not necessarily performed.

TI assumes no liability for applications assistance or the design of Buyers' products. Buyers are responsible for their products and applications using TI components. To minimize the risks associated with Buyers' products and applications, Buyers should provide adequate design and operating safeguards.

TI does not warrant or represent that any license, either express or implied, is granted under any patent right, copyright, mask work right, or other intellectual property right relating to any combination, machine, or process in which TI components or services are used. Information published by TI regarding third-party products or services does not constitute a license to use such products or services or a warranty or endorsement thereof. Use of such information may require a license from a third party under the patents or other intellectual property of the third party, or a license from TI under the patents or other intellectual property of TI.

Reproduction of significant portions of TI information in TI data books or data sheets is permissible only if reproduction is without alteration and is accompanied by all associated warranties, conditions, limitations, and notices. TI is not responsible or liable for such altered documentation. Information of third parties may be subject to additional restrictions.

Resale of TI components or services with statements different from or beyond the parameters stated by TI for that component or service voids all express and any implied warranties for the associated TI component or service and is an unfair and deceptive business practice. TI is not responsible or liable for any such statements.

Buyer acknowledges and agrees that it is solely responsible for compliance with all legal, regulatory and safety-related requirements concerning its products, and any use of TI components in its applications, notwithstanding any applications-related information or support that may be provided by TI. Buyer represents and agrees that it has all the necessary expertise to create and implement safeguards which anticipate dangerous consequences of failures, monitor failures and their consequences, lessen the likelihood of failures that might cause harm and take appropriate remedial actions. Buyer will fully indemnify TI and its representatives against any damages arising out of the use of any TI components in safety-critical applications.

In some cases, TI components may be promoted specifically to facilitate safety-related applications. With such components, TI's goal is to help enable customers to design and create their own end-product solutions that meet applicable functional safety standards and requirements. Nonetheless, such components are subject to these terms.

No TI components are authorized for use in FDA Class III (or similar life-critical medical equipment) unless authorized officers of the parties have executed a special agreement specifically governing such use.

Only those TI components which TI has specifically designated as military grade or "enhanced plastic" are designed and intended for use in military/aerospace applications or environments. Buyer acknowledges and agrees that any military or aerospace use of TI components which have **not** been so designated is solely at the Buyer's risk, and that Buyer is solely responsible for compliance with all legal and regulatory requirements in connection with such use.

TI has specifically designated certain components as meeting ISO/TS16949 requirements, mainly for automotive use. In any case of use of non-designated products, TI will not be responsible for any failure to meet ISO/TS16949.

Products

Audio	www.ti.com/audio
Amplifiers	amplifier.ti.com
Data Converters	dataconverter.ti.com
DLP® Products	www.dlp.com
DSP	dsp.ti.com
Clocks and Timers	www.ti.com/clocks
Interface	interface.ti.com
Logic	logic.ti.com
Power Mgmt	power.ti.com
Microcontrollers	microcontroller.ti.com
RFID	www.ti-rfid.com
OMAP Applications Processors	www.ti.com/omap
Wireless Connectivity	www.ti.com/wirelessconnectivity

Applications

Automotive and Transportation	www.ti.com/automotive
Communications and Telecom	www.ti.com/communications
Computers and Peripherals	www.ti.com/computers
Consumer Electronics	www.ti.com/consumer-apps
Energy and Lighting	www.ti.com/energy
Industrial	www.ti.com/industrial
Medical	www.ti.com/medical
Security	www.ti.com/security
Space, Avionics and Defense	www.ti.com/space-avionics-defense
Video and Imaging	www.ti.com/video

TI E2E Community

e2e.ti.com